

# RX90 RX91

## *Gas burners* *Low NOx series*

**MANUAL OF INSTALLATION - USE - MAINTENANCE**

***CIB UNIGAS***

**BURNERS - BRUCIATORI - BRULERS - BRENNER - QUEMADORES - ГОРЕЛКИ**

---

---

## WARNINGS

**THIS MANUAL IS SUPPLIED AS AN INTEGRAL AND ESSENTIAL PART OF THE PRODUCT AND MUST BE DELIVERED TO THE USER.**

**INFORMATION INCLUDED IN THIS SECTION ARE DEDICATED BOTH TO THE USER AND TO PERSONNEL FOLLOWING PRODUCT INSTALLATION AND MAINTENANCE.**

**THE USER WILL FIND FURTHER INFORMATION ABOUT OPERATING AND USE RESTRICTIONS, IN THE SECOND SECTION OF THIS MANUAL. WE HIGHLY RECOMMEND TO READ IT.**

**CAREFULLY KEEP THIS MANUAL FOR FUTURE REFERENCE.**

### 1) GENERAL INTRODUCTION

- The equipment must be installed in compliance with the regulations in force, following the manufacturer's instructions, by qualified personnel.
- Qualified personnel means those having technical knowledge in the field of components for civil or industrial heating systems, sanitary hot water generation and particularly service centres authorised by the manufacturer.
- Improper installation may cause injury to people and animals, or damage to property, for which the manufacturer cannot be held liable.
- Remove all packaging material and inspect the equipment for integrity.

In case of any doubt, do not use the unit - contact the supplier.

The packaging materials (wooden crate, nails, fastening devices, plastic bags, foamed polystyrene, etc), should not be left within the reach of children, as they may prove harmful.

- Before any cleaning or servicing operation, disconnect the unit from the mains by turning the master switch OFF, and/or through the cut-out devices that are provided.
- Make sure that inlet or exhaust grilles are unobstructed.
- In case of breakdown and/or defective unit operation, disconnect the unit. Make no attempt to repair the unit or take any direct action.

Contact qualified personnel only.

Units shall be repaired exclusively by a servicing centre, duly authorised by the manufacturer, with original spare parts.

Failure to comply with the above instructions is likely to impair the unit's safety.

To ensure equipment efficiency and proper operation, it is essential that maintenance operations are performed by qualified personnel at regular intervals, following the manufacturer's instructions.

- When a decision is made to discontinue the use of the equipment, those parts likely to constitute sources of danger shall be made harmless.
- In case the equipment is to be sold or transferred to another user, or in case the original user should move and leave the unit behind, make sure that these instructions accompany the equipment at all times so that they can be consulted by the new owner and/or the installer.
- For all the units that have been modified or have options fitted then original accessory equipment only shall be used.
- This unit shall be employed exclusively for the use for which it is meant. Any other use shall be considered as improper and, therefore, dangerous.

The manufacturer shall not be held liable, by agreement or otherwise, for damages resulting from improper installation, use and failure to comply with the instructions supplied by the manufacturer.

### 2) SPECIAL INSTRUCTIONS FOR BURNERS

- The burner should be installed in a suitable room, with ventilation openings complying with the requirements of the regulations in force, and sufficient for good combustion.
- Only burners designed according to the regulations in force should be used.
- This burner should be employed exclusively for the use for which it was designed.
- Before connecting the burner, make sure that the unit rating is the same as delivery mains (electricity, gas oil, or other fuel).
- Observe caution with hot burner components. These are, usually, near to the flame and the fuel pre-heating system, they become hot during the unit operation and will remain hot for some time after the burner has stopped.

When the decision is made to discontinue the use of the burner, the user

shall have qualified personnel carry out the following operations:

- a Remove the power supply by disconnecting the power cord from the mains.
- b) Disconnect the fuel supply by means of the hand-operated shut-off valve and remove the control handwheels from their spindles.

#### Special warnings

- Make sure that the burner has, on installation, been firmly secured to the appliance, so that the flame is generated inside the appliance firebox.
- Before the burner is started and, thereafter, at least once a year, have qualified personnel perform the following operations:
  - a set the burner fuel flow rate depending on the heat input of the appliance;
  - b set the flow rate of the combustion-supporting air to obtain a combustion efficiency level at least equal to the lower level required by the regulations in force;
  - c check the unit operation for proper combustion, to avoid any harmful or polluting unburnt gases in excess of the limits permitted by the regulations in force;
  - d make sure that control and safety devices are operating properly;
  - e make sure that exhaust ducts intended to discharge the products of combustion are operating properly;
  - f on completion of setting and adjustment operations, make sure that all mechanical locking devices of controls have been duly tightened;
  - g make sure that a copy of the burner use and maintenance instructions is available in the boiler room.
- In case of a burner shut-down, reset the control box by means of the RESET pushbutton. If a second shut-down takes place, call the Technical Service, **without trying to RESET further**.
- The unit shall be operated and serviced by qualified personnel only, in compliance with the regulations in force.

### 3) GENERAL INSTRUCTIONS DEPENDING ON FUEL USED

#### 3a) ELECTRICAL CONNECTION

- For safety reasons the unit must be efficiently earthed and installed as required by current safety regulations.
  - It is vital that all safety requirements are met. In case of any doubt, ask for an accurate inspection of electricians by qualified personnel, since the manufacturer cannot be held liable for damages that may be caused by failure to correctly earth the equipment.
  - Qualified personnel must inspect the system to make sure that it is adequate to take the maximum power used by the equipment shown on the equipment rating plate. In particular, make sure that the system cable cross section is adequate for the power absorbed by the unit.
  - No adaptors, multiple outlet sockets and/or extension cables are permitted to connect the unit to the electric mains.
  - An omnipolar switch shall be provided for connection to mains, as required by the current safety regulations.
  - The use of any power-operated component implies observance of a few basic rules, for example:
    - do not touch the unit with wet or damp parts of the body and/or with bare feet;
    - do not pull electric cables;
    - do not leave the equipment exposed to weather (rain, sun, etc.) unless expressly required to do so;
    - do not allow children or inexperienced persons to use equipment;
  - The unit input cable shall not be replaced by the user.
- In case of damage to the cable, switch off the unit and contact qualified personnel to replace.

When the unit is out of use for some time the electric switch supplying all the power-driven components in the system (i.e. pumps, burner, etc.) should be switched off.

### 3b) FIRING WITH GAS, LIGHT OIL OR OTHER FUELS

#### GENERAL

- The burner shall be installed by qualified personnel and in compliance with regulations and provisions in force; wrong installation can cause injuries to people and animals, or damage to property, for which the manufacturer cannot be held liable.
- Before installation, it is recommended that all the fuel supply system pipes be carefully cleaned inside, to remove foreign matter that might impair the burner operation.
- Before the burner is commissioned, qualified personnel should inspect the following:
  - a the fuel supply system, for proper sealing;
  - b the fuel flow rate, to make sure that it has been set based on the firing rate required of the burner;
  - c the burner firing system, to make sure that it is supplied for the designed fuel type;
  - d the fuel supply pressure, to make sure that it is included in the range shown on the rating plate;
  - e the fuel supply system, to make sure that the system dimensions are adequate to the burner firing rate, and that the system is equipped with all the safety and control devices required by the regulations in force.
- When the burner is to remain idle for some time, the fuel supply tap or taps should be closed.

#### SPECIAL INSTRUCTIONS FOR USING GAS

Have qualified personnel inspect the installation to ensure that:

- a the gas delivery line and train are in compliance with the regulations and provisions in force;
  - b all gas connections are tight;
  - c the boiler room ventilation openings are such that they ensure the air supply flow required by the current regulations, and in any case are sufficient for proper combustion.
- Do not use gas pipes to earth electrical equipment.
  - Never leave the burner connected when not in use. Always shut the gas valve off.
  - In case of prolonged absence of the user, the main gas delivery valve to the burner should be shut off.

#### Precautions if you can smell gas

- a do not operate electric switches, the telephone, or any other item likely to generate sparks;
  - b immediately open doors and windows to create an air flow to purge the room;
  - c close the gas valves;
  - d contact qualified personnel.
- Do not obstruct the ventilation openings of the room where gas appliances are installed, to avoid dangerous conditions such as the development of toxic or explosive mixtures.

### DIRECTIVES AND STANDARDS

#### *Gas burners*

##### European directives:

- Directive 2009/142/EC - Gas Appliances;
- Directive 2006/95/EC on low voltage;
- Directive 2004/108/EC on electromagnetic compatibility

##### Harmonised standards :

- UNI EN 676 (Gas Burners);
- CEI EN 60335-1(Household and similar electrical appliances - Safety. Part 1: General requirements;
- EN 50165 (Electrical equipment of non-electric appliances for household and similar purposes. Safety requirements.

#### *Light oil burners*

##### European directives:

- Directive 2006/95/EC on low voltage;
- Directive 2004/108/EC on electromagnetic compatibility

##### Harmonised standards :

- CEI EN 60335-1(Household and similar electrical appliances - Safety. Part 1: General requirements;
- EN 50165 (Electrical equipment of non-electric appliances for household and similar purposes. Safety requirements.

##### National standards :

- UNI 7824: Monobloc nebulizer burners for liquid fuels. Characteristics and test methods

#### *Heavy oil burners*

##### European directives:

- Directive 2006/95/EC on low voltage;
- Directive 2004/108/EC on electromagnetic compatibility

##### Harmonised standards :

- CEI EN 60335-1 Household and similar electrical appliances - SafetyPart 1: General requirements;
- EN 50165 Electrical equipment of non-electric appliances for household and similar purposes. Safety requirements.

##### National standards :

- UNI 7824: Monobloc nebulizer burners for liquid fuels. Characteristics and test methods

#### *Gas - Light oil burners*

##### European directives:

- Directive 2009/142/EC - Gas Appliances;
- Directive 2006/95/EC on low voltage;
- Directive 2004/108/EC on electromagnetic compatibility

##### Harmonised standards :

- UNI EN 676 Gas Burners
- CEI EN 60335-1(Household and similar electrical appliances - Safety. Part 1: General requirements;
- EN 50165 Electrical equipment of non-electric appliances for household and similar purposes. Safety requirements.

##### National standards :

- UNI 7824: Monobloc nebulizer burners for liquid fuels. Characteristics and test methods

#### *Gas - Heavy oil burners*

##### European directives:

- Directive 2009/142/EC - Gas Appliances;
- Directive 2006/95/EC on low voltage;
- Directive 2004/108/EC on electromagnetic compatibility

##### Harmonised standards :

- UNI EN 676 (Gas Burners);
- CEI EN 60335-1(Household and similar electrical appliances - Safety. Part 1: General requirements;
- EN 50165 Electrical equipment of non-electric appliances for household and similar purposes. Safety requirements.

##### National standards :

- UNI 7824: Monobloc nebulizer burners for liquid fuels. Characteristics and test methods

## PART I: INSTALLATION MANUAL

## GENERAL FEATURES

The gas coming from the supply line, passes through the valves group provided with filter and stabiliser. This one forces the pressure in the utilisation limits. The electric actuator (14), that moves proportionally the air damper and the gas butterfly valve, uses an adjusting cam (13) with variable shape. This one allows the optimisation of the gas flue values, as to get an efficient combustion. The combustion head positioning determines the burner's output. Fuel and comburent are routed into separated ways as far as the zone of flame generation (combustion chamber). The air (comburent) and fuel (gas) are forced into the combustion chamber. The control panel (1), placed on the burner's front side, shows each operating stage.

**How to interpret the burner's "Performance curve"**

To check if the burner is suitable for the boiler to which it must be installed, the following parameters are needed:

- furnace input, in kW or kcal/h ( $\text{kW} = \text{kcal/h} / 860$ );
- backpressure (data are available on the boiler's ID plate or in the user's manual).

Example:

Furnace input: 600kW

Backpressure: 4mbar

In the "Performance curve" diagram (Fig. 4), draw a vertical line matching the furnace input value and an horizontal line matching the backpressure value. The burner is suitable if the intersection point A is inside the performance curve.

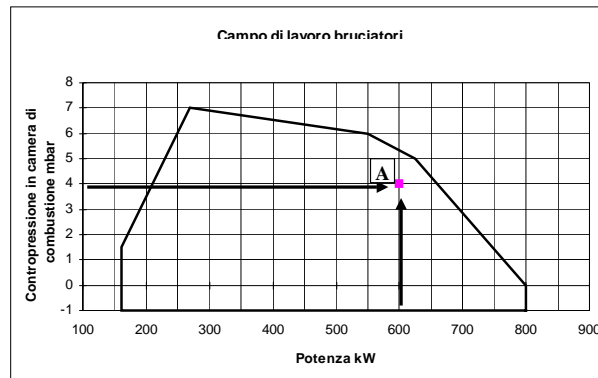


Fig. 4

The values are referred to standard environmental conditions: 1013mbar, 15°C.

**Checking the proper gas train size**

To check the proper gas train size, it is necessary to know the available gas pressure value upstream the burner's gas valve. Then subtract the backpressure. The result is called  $p_{\text{gas}}$ . Draw a vertical line matching the furnace input value (600kW, in the example), quoted on the x-axis, as far as intercepting the network pressure curve, according to the installed gas train (DN65, in the example). From the interception point, draw an horizontal line as far as matching, on the y-axis, the value of pressure necessary to get the requested furnace input. This value must be lower or equal to the  $p_{\text{gas}}$  value, calculated before.

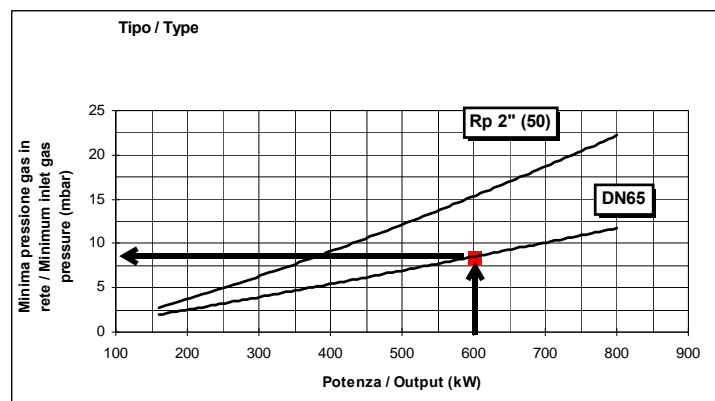


Fig. 5

**BURNERS FEATURES****Burner model identification**

Burners are identified by burner type and model. Burner model identification is described as follows.

Type	RX90	Model	M-	PR.	S.	*	A.	1.	80
(1)	(2)	(3)	(4)	(5)	(6)	(7)	(8)	(9)	(10)
(1) BURNER TYPE	RX90 - RX91								
(2) FUEL	M - Natural gas								
(3) OPERATION (Available versions)	PR - Progressive MD - Fully modulating								
(4) BLAST TUBE	S - Standard L - Extended								
(5) DESTINATION COUNTRY	* - see data plate								
(6) BURNER VERSION	A - Standard								
(7) EQUIPMENT	1 = 2 valves + gas proving system 8 = 2 valves + gas proving system + maximum gas pressure switch								
(8) GAS CONNECTION see Specifications	50 = Rp2 65 = DN65 80 = DN80 100 = DN100								

**Technical Specifications**

BURNER TYPE		RX90	RX91
Output	min - max kW	288 - 1480	674 - 2008
Fuel		Natural gas	
Category		(see next paragraph)	
Gas rate	min.-max. (Stm <sup>3</sup> /h)	30.5 - 157	71 - 213
Gas pressure		(see Note 2)	
Power supply		400V 3N~ 50Hz	
Total power consumption	kW	3.5	4.5
Electric motor	kW	3	4
Approximate weight	kg	250	
Protection		IP40	
Operation		Progressive - Fully modulating	
Gas train 50 Connection	ØValves / Connections	50 / Rp 2	
Gas train 65	ØValves / Connections	65 / DN65	
Gas train 80	ØValves / Connections	80 / DN80	
Gas train 100	ØValves / Connections	100 / DN100	
Operating temperature	°C	-10 ÷ +50	
Storage Temperature	°C	-20 ÷ +60	
Working service*		Intermittent	
NOx emissions		≤ 80 mg/kWh (Class 3 - EN676 - 2008)	

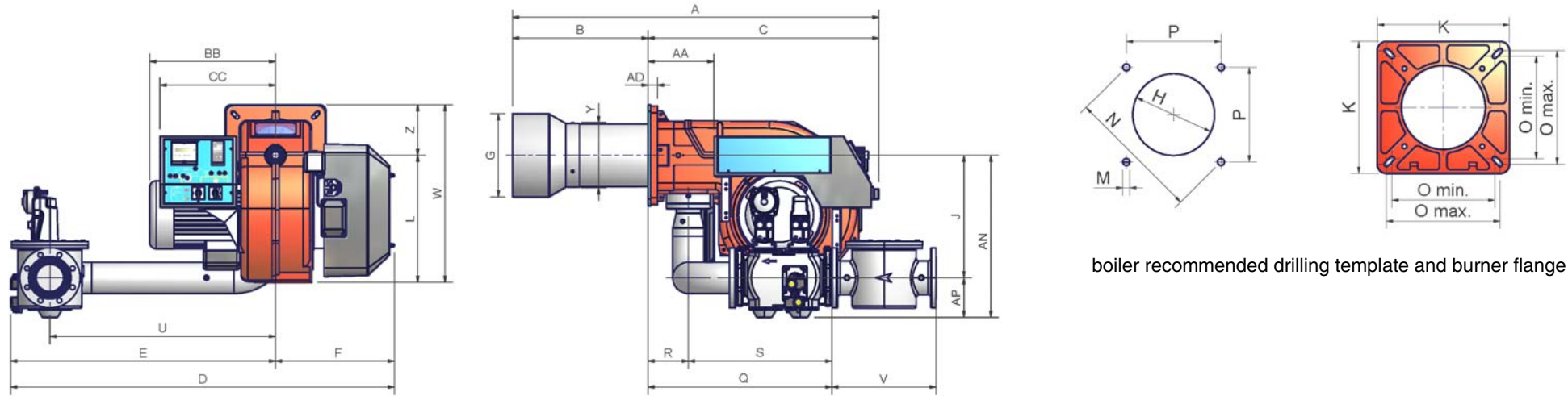
<b>Note1:</b>	all gas flow rates are referred to Stm <sup>3</sup> /h (1013 mbar pressure, 15 °C temperature) and are valid for G20 gas (net calorific value: 34.02 MJ/Stm <sup>3</sup> ).
<b>Note2:</b>	Maximum gas pressure = 500mbar (with Siemens VGD gas valves). Minimum gas pressure = see gas curves.

\* **NOTE ON THE BURNER WORKING SERVICE:** for safety reasons, one controlled shutdown must be performed every 24 hours of continuous operation.

**Country and usefulness gas categories**

GAS CATEGORY	COUNTRY																								
	AT	ES	GR	SE	FI	IE	HU	IS	NO	CZ	DK	GB	IT	PT	CY	EE	LV	SI	MT	SK	BG	LT	RO	TR	CH
I <sub>2H</sub>																									
I <sub>2E</sub>	LU	PL	-	-	-	-	-	-	-	-	-	-	-	-	-	-	-	-	-	-	-	-	-	-	-
I <sub>2E(R)B</sub>	BE	-	-	-	-	-	-	-	-	-	-	-	-	-	-	-	-	-	-	-	-	-	-	-	-
I <sub>2L</sub>	NL	-	-	-	-	-	-	-	-	-	-	-	-	-	-	-	-	-	-	-	-	-	-	-	-
I <sub>2ELL</sub>	DE	-	-	-	-	-	-	-	-	-	-	-	-	-	-	-	-	-	-	-	-	-	-	-	-
I <sub>2Er</sub>	FR	-	-	-	-	-	-	-	-	-	-	-	-	-	-	-	-	-	-	-	-	-	-	-	-

**Overall dimensions (mm)**



boiler recommended drilling template and burner flange

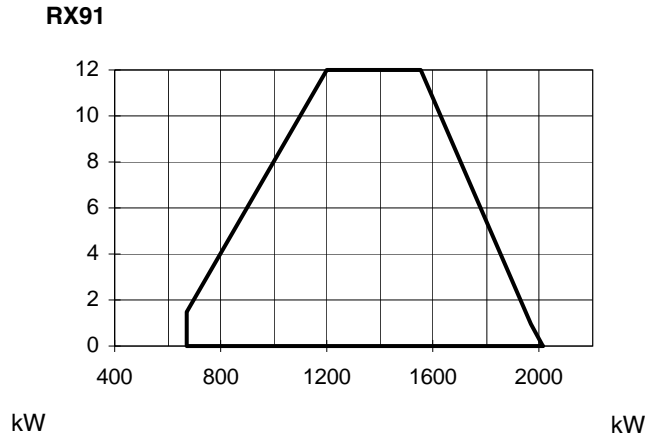
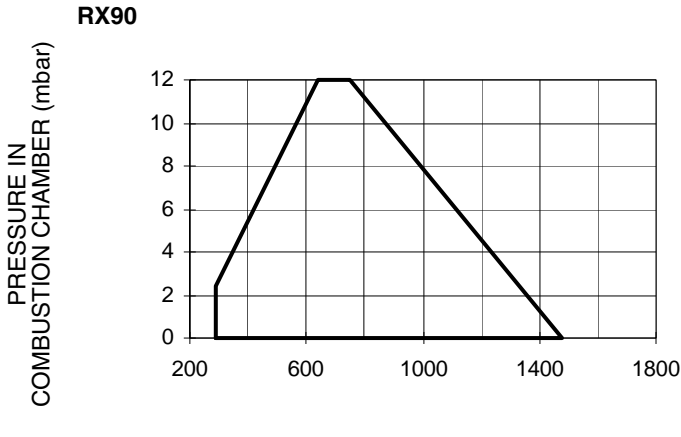
	DN*	A	AA	AD	AN	AP	B	BB	C	CC	D	E	F	G	H	J	K	L	M	N	Omin	Omax	P	Q	R	S	U	V	W	Y	Z	
	<b>RX90</b>	50	1168	242	35	429	100	290	419	843	422	1294	860	434	228	258	329	360	464	M12	417	280	310	295	522	148	374	624	216	649	228	185
	<b>RX90</b>	65	1168	242	35	406	118	290	419	843	422	1391	957	434	228	258	288	360	464	M12	417	280	310	295	551	148	403	750	292	649	228	185
	<b>RX90</b>	80	1168	242	35	439	132	290	419	843	422	1393	959	434	228	258	307	360	464	M12	417	280	310	295	592	148	444	750	322	649	228	185
	<b>RX90</b>	100	1168	242	35	592	145	290	419	843	422	1483	1049	434	228	258	447	360	464	M12	417	280	310	295	672	148	524	824	382	649	228	185
	<b>RX91</b>	50	1168	242	35	429	100	290	419	843	422	1294	860	434	273	303	329	360	464	M12	417	280	310	295	522	148	374	624	216	649	228	185
	<b>RX91</b>	65	1168	242	35	406	118	290	419	843	422	1391	957	434	273	303	288	360	464	M12	417	280	310	295	551	148	403	750	292	649	228	185
	<b>RX91</b>	80	1168	242	35	439	132	290	419	843	422	1393	959	434	273	303	307	360	464	M12	417	280	310	295	592	148	444	750	322	649	228	185
	<b>RX91</b>	100	1168	242	35	592	145	290	419	843	422	1483	1049	434	273	303	447	360	464	M12	417	280	310	295	672	148	524	824	382	649	228	185

NOTE: the overall dimensions are referred to burners provided with Siemens VGD valves.

\*DN = gas valves size



**Performance Curves**

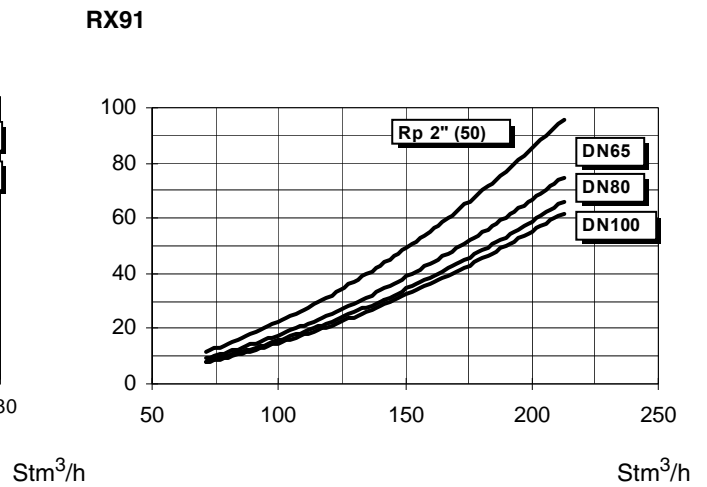
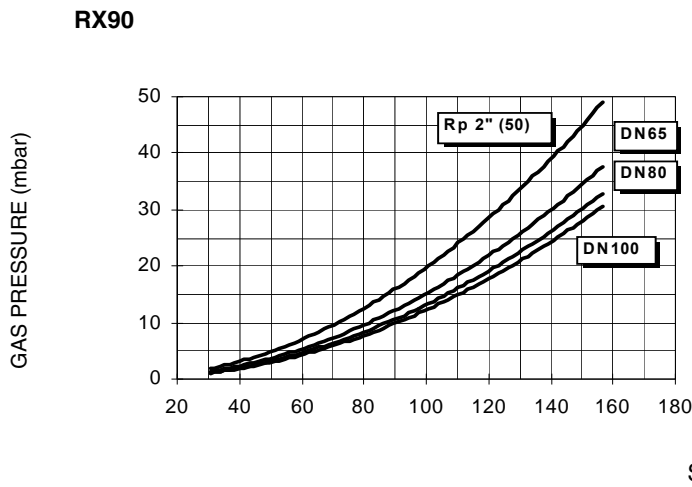



To get the input in kcal/h, multiply value in kW by 860.

Data are referred to standard conditions: atmospheric pressure at 1013mbar, ambient temperature at 15°C.

**NOTE:** The performance curve is a diagram that represents the burner performance in the type approval phase or in the laboratory tests, but does not represent the regulation range of the machine. On this diagram the maximum output point is usually reached by adjusting the combustion head to its "MAX" position (see paragraph "Adjusting the combustion head"); the minimum output point is reached setting the combustion head to its "MIN" position. During the first ignition, the combustion head is set in order to find a compromise between the burner output and the generator specifications, that is why the minimum output may be different from the Performance curve minimum.

**Pressure in the Network / gas flow rate curves**



 Caution: the gas rate value is quoted on the x-axis, the related network pressure is quoted on the y-axis (pressure value in the combustion chamber is not included). To know the minimum pressure at the gas train inlet, necessary to get the requested gas rate, add the pressure value in the combustion chamber to the value read on the y-axis.

## MOUNTING AND CONNECTING THE BURNER

### Packing

The burners are despatched in wooden crates whose dimensions are:

**1730mm x 1280mm x 1020mm (L x P x H)**

Packing cases of this type are affected by humidity and are not suitable for stacking.

The following are placed in each packing case:

- burner with gas train;
- gasket to be inserted between the burner and the boiler;
- envelope containing this manual.

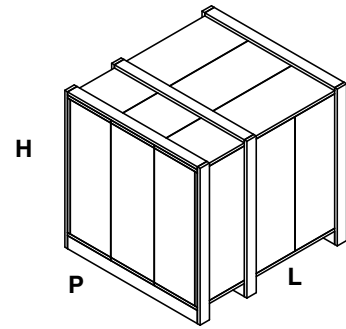


Fig. 6

To get rid of the burner's packing, follow the procedures laid down by current laws on disposal of materials.

### Handling the burner

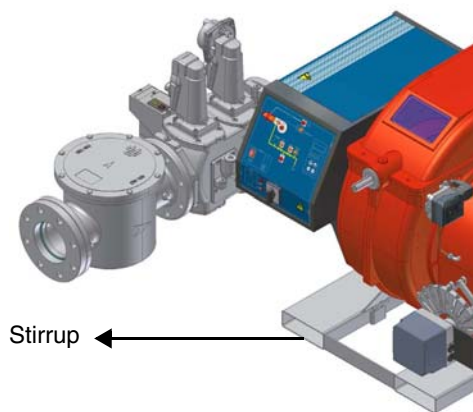
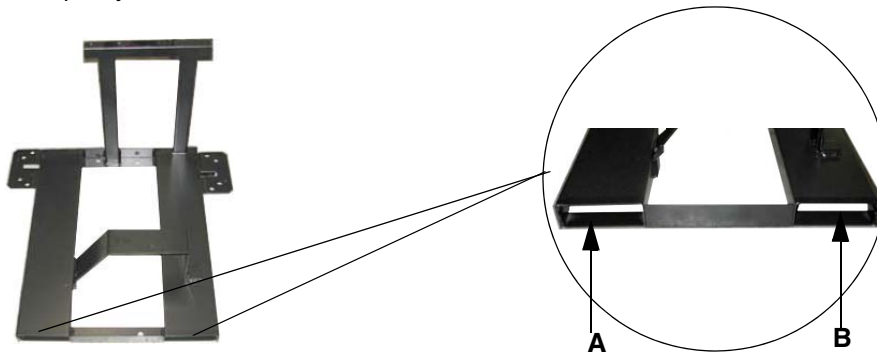


**ATTENTION! The handling operations must be carried out by specialised and trained personnel. If these operations are not carried out correctly, the residual risk for the burner to overturn and fall down still persists.**

**To move the burner, use means suitable to support its weight (see paragraph "Technical specifications").**

**The unpacked burner must be lifted and moved only by means of a fork lift truck.**

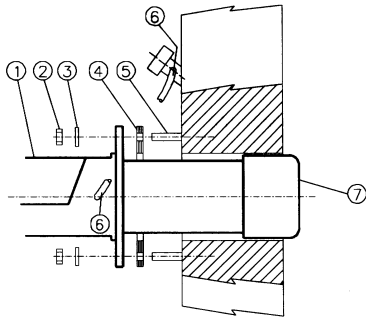
The burner is mounted on a stirrup provided for handling the burner by means of a fork lift truck: the forks must be inserted into the A and B ways. Remove the stirrup only once the burner is installed to the boiler.



### Fitting the burner to the boiler

To install the burner into the boiler, proceed as follows:

- 1 make a hole on the closing door of the combustion chamber as described on paragraph "Overall dimensions")
- 2 place the burner to the boiler: lift it up and handle it according to the procedure described on paragraph "Handling the burner";
- 3 place the 4 stud bolts (5) on boiler's door, according to the burner's drilling template described on paragraph "Overall dimensions";
- 4 fasten the 4 stud bolts;
- 5 place the gasket on the burner flange;
- 6 install the burner into the boiler;
- 7 fix the burner to the stud bolts, by means of the fixing nuts, according to the next picture.
- 8 After fitting the burner to the boiler, ensure that the gap between the blast tube and the refractory lining is sealed with appropriate insulating material (ceramic fibre cord or refractory cement).



#### Keys

- 1 Burner
- 2 Fixing nut
- 3 Washer
- 4 Sealing gasket
- 5 Stud bolt
- 7 Blast tube

### Matching the burner to the boiler

The burners described in this manual have been tested with combustion chambers that comply with EN676 regulation and whose dimensions are described in the diagram. In case the burner must be coupled with boilers with a combustion chamber smaller in diameter or shorter than those described in the diagram, please contact the supplier, to verify that a correct matching is possible, with respect of the application involved. To correctly match the burner to the boiler verify the necessary input and the pressure in combustion chamber are included in the burner performance curve; otherwise the choice of the burner must be revised consulting the burner manufacturer. To choose the blast tube length follow the instructions of the boiler manufacturer. In absence of these consider the following:

- Cast-iron boilers, three pass flue boilers (with the first pass in the rear part): the blast tube must protrude no more than 100 mm into the combustion chamber.
- Pressurised boilers with flame reversal: in this case the blast tube must penetrate at least 50 - 100 mm into combustion chamber in respect to the tube bundle plate.

The length of the blast tubes does not always allow this requirement to be met, and thus it may be necessary to use a suitably-sized spacer to move the burner backwards or to design a blast tube that suits the utilisation (please, contact the manufacturer).

#### Key

- a) Heat output in kW
- b) Length of the flame tube in meters
- c) Flame tube firing intensity in MW/m<sup>3</sup>
- d) Combustion chamber diameter (m)

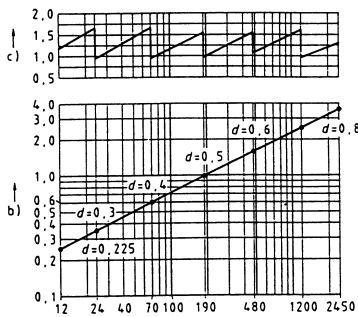


Fig. 7

**Gas train connections**

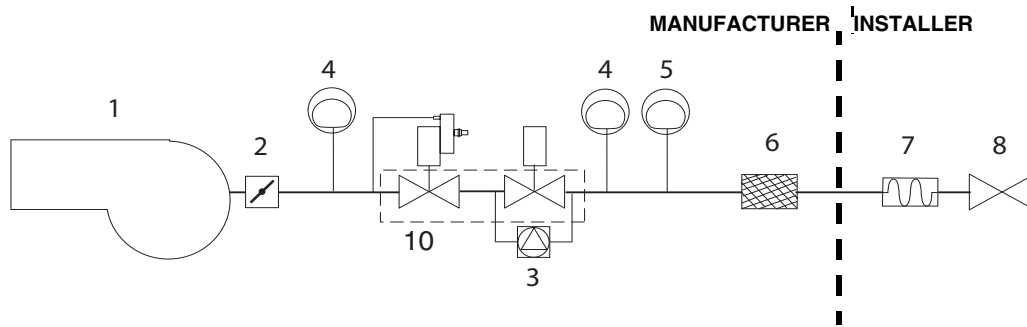
The diagrams show the components of the gas train included in the delivery and which must be fitted by the installer. The diagrams are in compliance with the current laws.



**ATTENTION:** BEFORE EXECUTING THE CONNECTIONS TO THE GAS PIPE NETWORK, BE SURE THAT THE MANUAL CUTOFF VALVES ARE CLOSED.

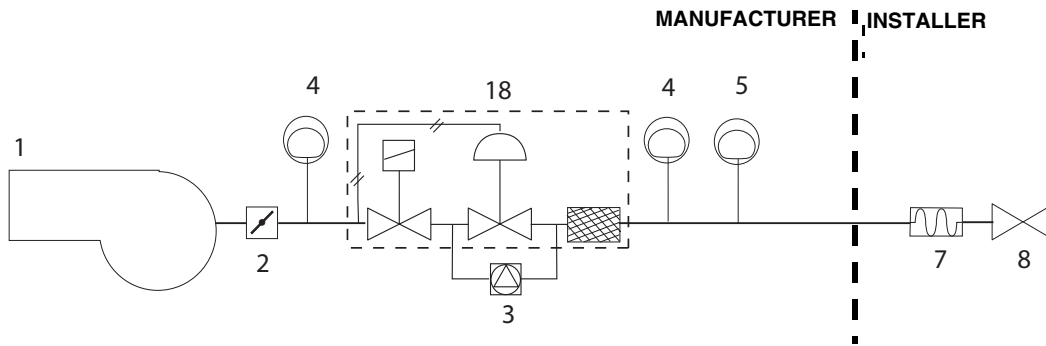
**Gas train - 1**

Gas train with valves group VGD 20/40.. with built-in gas pressure governor + VPS504 gas proving system



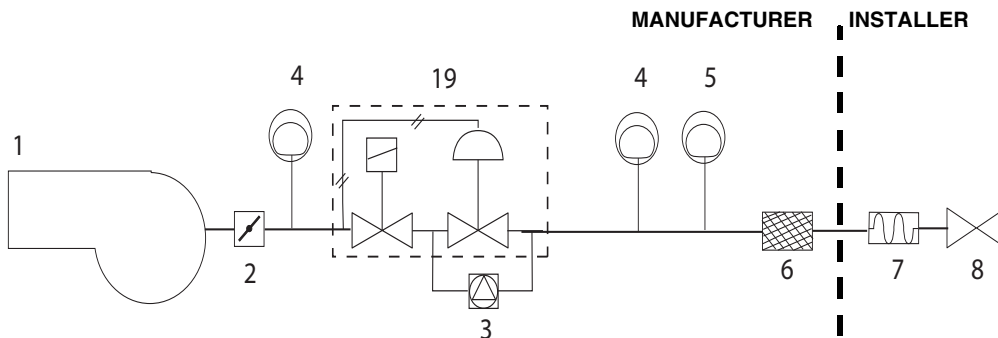
**Gas train - 2 (Rp2)**

Gas train with valves group MBC 1200SE (2 valves + gas filter + pressure governor) + VPS504 gas proving system



**Gas train - 3 (DN65/80/100)**

Gas train with valves group MBC 1900/3100/5000SE (2 valves + gas filter + pressure governor) + VPS504 gas proving system



- |   |   |
|---|---|
| 1 Burner                                | 8 Manual cutoff valve                         |
| 2 Butterfly valve                       | 10 VGD Valves group                           |
| 3 Gas proving system                    | 14 Pressure governor with filter              |
| 4 Maximum gas pressure switch (option*) | 18 MBC Valves group (2" with filter provided) |
| 5 Minimum gas pressure switch           | 19 MBC Valves group (DN65/80/100)             |
| 6 Gas filter                            |   |
| 7 Bellows unit                          |   |

\* Note: the high gas pressure switch can be mounted either upstream or downstream the gas valve but upstream the butterfly gas valve (see item no.4 in the scheme above).

## Assembling the gas train

To assemble the main gas train, proceed as follows:

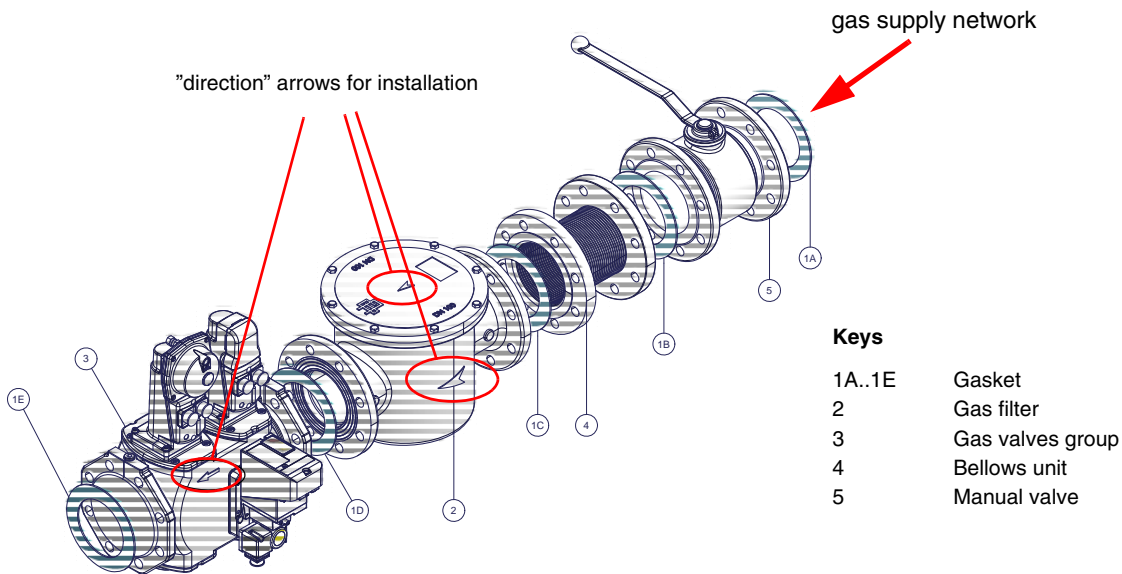


Fig. 8 - Example for gas train

- 1-a) in case of threaded joints: use proper seals according to the gas used;
- 1-b) in case of flanged joints: place a gasket (no. 1A..1E - Fig. 8) between the items
- 2) fasten all the items by the screws, according to the schemes shown, observing the mounting direction for each item (see figure above).

**NOTE:** the bellows unit, the manual valve and the gaskets are not part of the standard supply.



**ATTENTION:** once the gas train is mounted according to the diagram on Fig. 8, the gas proving test must be performed, according to the procedure set by the laws in force.



**ATTENTION:** it is recommended to mount filter and gas valves to avoid that extraneous material drops inside the valves, during maintenance and cleaning operation of the filters (both the filters outside the valves group and the ones built-in the gas valves).

The procedures of installation for the gas valves are shown in the next paragraphs, according to the gas train used:

- threaded gas trains with Multibloc Dungs MBC..SE 1200 or Siemens VGD20..
- flanged gas trains with Multibloc Dungs MBC..SE 1900-3100-5000 or Siemens VGD40..

**Siemens VGD20.. and VGD40.. gas valves - with SKP2.. (pressure governor)**

**Mounting**

- When mounting the VGD.. double gas valve, two flanges are required (as for VGD20.. model, the flanges are threaded);
  - to prevent cuttings from falling inside the valve, first fit the flanges to the piping and then clean the associated parts;
  - install the valve;
  - the direction of gas flow must be in accordance with the direction of the arrow on the valve body;
  - ensure that the bolts on the flanges are properly tightened;
  - ensure that the connections with all components are tight;
  - make certain that the O-rings and gaskets between the flanges and the double gas valve are fitted.
  - Connect the reference gas pipe (TP in figure; 8mm-external size pipe supplied loose), to the gas pressure nipples placed on the gas pipe, downstream the gas valves: gas pressure must be measured at a distance that must be at least 5 times the pipe size.
- Leave the blowhole free (SA in figure). Should the spring fitted not permit satisfactory regulation, ask one of our service centres for a suitable replacement.

**⚠ Caution:** the SKP2 diaphragm **D** must be vertical (see Fig. 11).

**⚠ WARNING:** removing the four screws **BS** causes the device to be unserviceable!

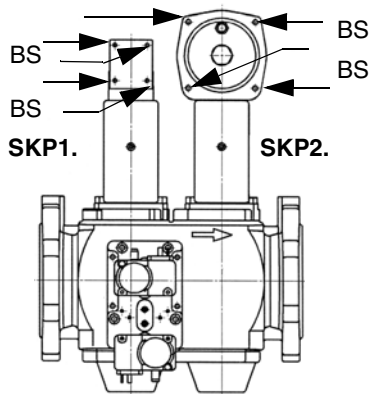


Fig. 9

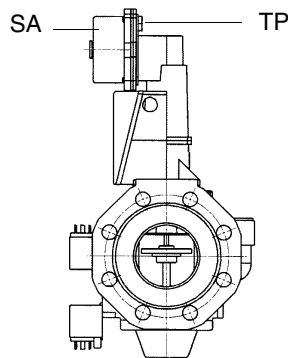


Fig. 10

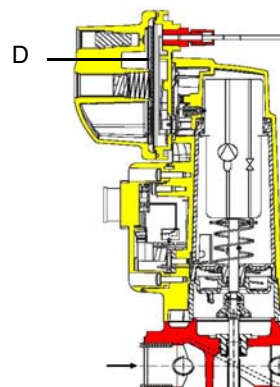


Fig. 11

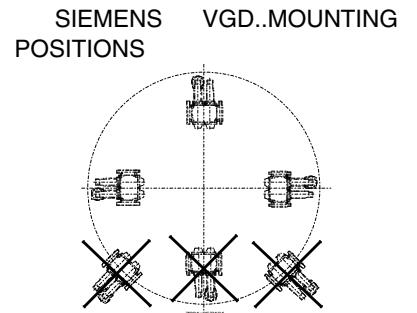


Fig. 12

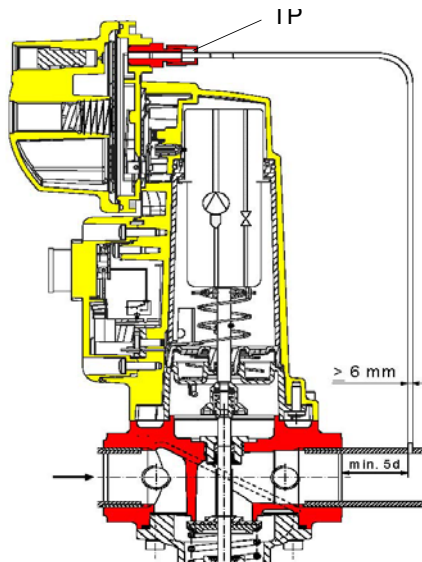


Fig. 13

**MULTIBLOC DUNGS MBC300-700-1200SE (Threaded valves group)**

**Mounting**

1. Mount flange onto tube lines. Use appropriate sealing agent (see Fig. 14)
2. Insert MBC...SE. Note position of O rings (see Fig. 15).
3. Tighten screws A – H
4. After installation, perform leakage and functional test.
5. Disassembly in reverse order

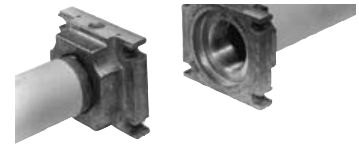
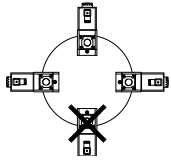


Fig. 14

**MOUNTING**

**POSITIONS**



**OPTION**

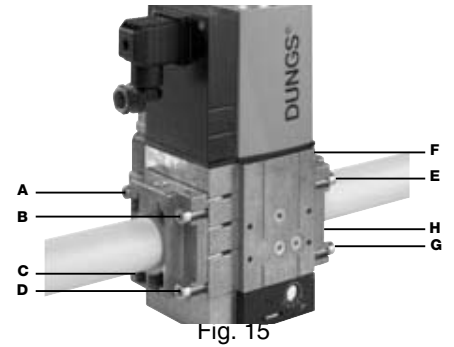
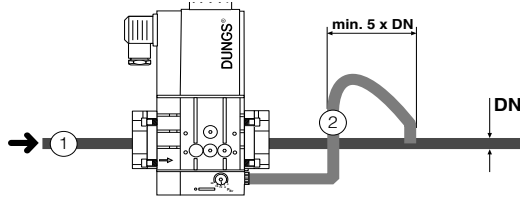


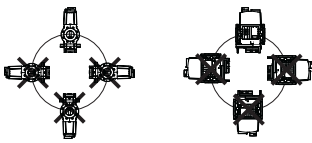
Fig. 15

**MULTIBLOC DUNGS MBC1900-3100-5000SE (Flanged valves group)**

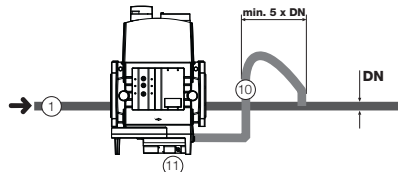
**Mounting**

1. Insert setscrews A
  2. Insert seals
  3. Insert setscrews B
  4. Tighten setscrews A + B.
- Ensure correct seating of the seal!
6. After installation, perform leakage and functional test.
  7. Disassembly in reverse order.

**Mounting positions**



**OPTION**



10 = pulse lines

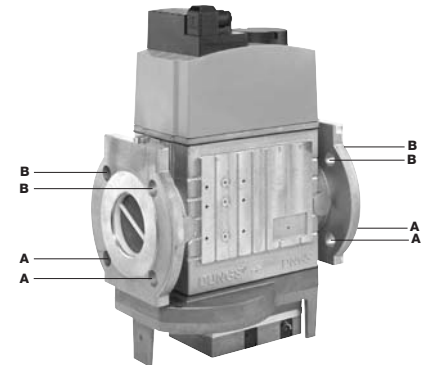
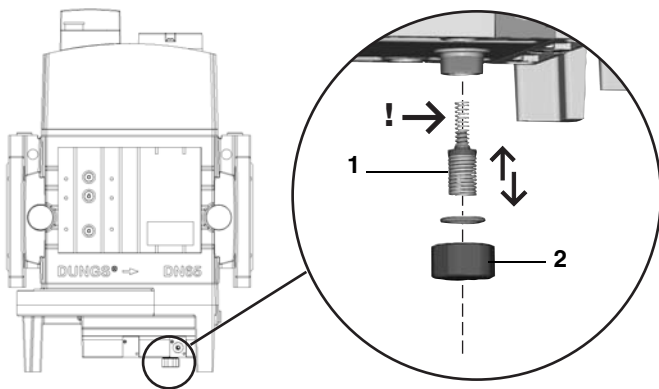


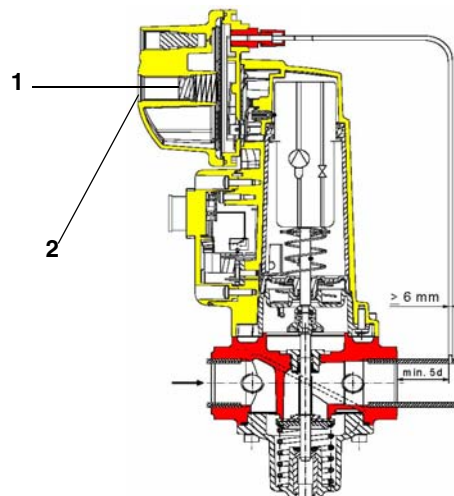
Fig. 16

**Pressure adjusting range**

The pressure adjusting range, downstream the gas valves group, changes according to the spring provided with the valve group.



**DUNGS MBC..SE**



**Siemens SKP actuator**

**Keys**

- 1 spring
- 2 cap

**DUNGS MBC valves:**

<b>Performance range (mbar)</b>	4 - 20	20 - 40	40 - 80	80 - 150
<b>Spring colour</b>	-	red	black	green

**Siemens VGD valves with SKP actuator :**

<b>Performance range (mbar)</b>	0 - 22	15 - 120	100 - 250
<b>Spring colour</b>	neutral	yellow	red


Once the gas train is installed, execute the electrical connections for all its items (gas valves group, gas proving system, pressure switches).



**ATTENTION:** once the gas train is mounted according to the diagram on Fig. 8, the gas proving test must be performed, according to the procedure set by the laws in force.




## ELECTRICAL CONNECTIONS

	<b>Respect the basic safety rules. make sure of the connection to the earthing system. do not reverse the phase and neutral connections. fit a differential thermal magnet switch adequate for connection to the mains.</b>
	<b>ATTENTION: before executing the electrical connections, pay attention to turn the plant's switch to OFF and be sure that the burner's main switch is in 0 position (OFF) too. Read carefully the chapter "WARNINGS", and the "Electrical connections" section.</b>

To execute the electrical connections, proceed as follows:

- 1 remove the cover from the electrical board, unscrewing the fixing screws;
- 2 execute the electrical connections to the supply terminal board as shown in the following diagrams,
- 3 check the direction of the fan motor (see next paragraph)
- 4 refit the panel cover.

	<b>WARNING: The burner is provided with an electrical bridge between terminals 6 and 7; when connecting the high/low flame thermostat, remove this bridge before connecting the thermostat.</b>
	<b>IMPORTANT: Connecting electrical supply wires to the burner terminal block MA, be sure that the ground wire is longer than phase and neutral ones.</b>

Connect the three-phase supply to terminals L1, L2, L3 and PE (ground); then shunt the phase and neutral wires (Fig. 18) for the auxiliaries on the printed circuit (N-terminal = neutral; L-terminal = phase).



Fig. 17: Power supply terminal board

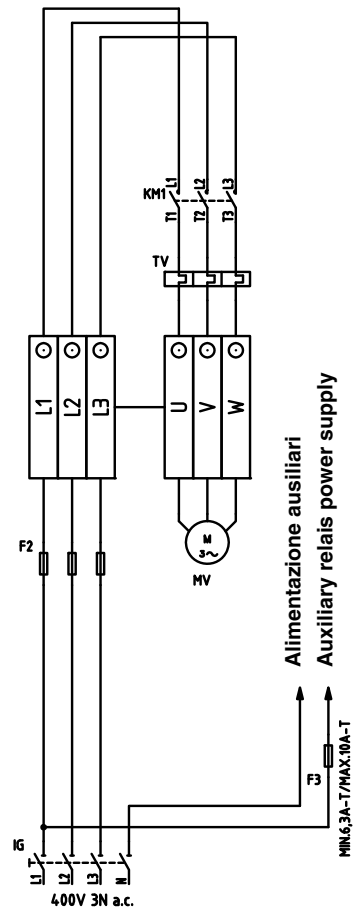


Fig. 18: Electric motor connection

#### Keys - Fig. 18

**IG:** main switch

**KM1:** fan motor contactor

**M:** fan motor

**TV:** fan motor thermal cutout

**Electrical wiring diagram for burners provided with printed circuit (standard configuration).**

.As far as connections, refer to the terminal block shown on Fig. 19.

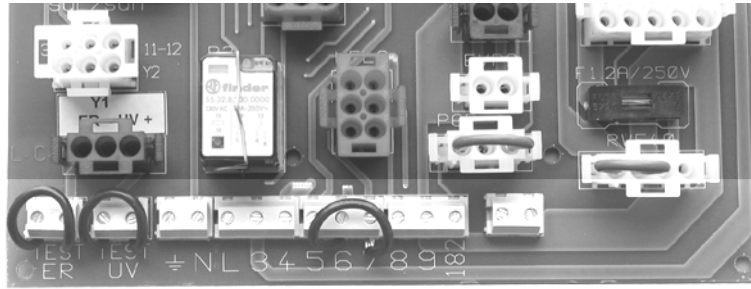


Fig. 19: Terminal board for connections on printed circuit

1 Connect the signal conductors from the boiler to the burner, as for the next elements (Fig. 20 - Fig. 22):

**ST:** thermostat/pressure switch series

**TAB:** High/low flame thermostat

2 Connect the signal conductors from the burner to the boiler, as for the next elements (Fig. 20 - Fig. 22)

**LB:** Burner's lockout signalling LED

**LSPG:** Gas proving system lockout signalling LED

3 In case of modulating burners, the 5, 6 and 7 terminals, on the **MA** terminal block, are already connected to the output controller (mod. **RWF40**). A 4-pole plug coming out from the electrical panel is provided for the temperature and pressure probes connections (see Fig. 21).

**Note:** the output controller modulator is provided according to the ordered probe

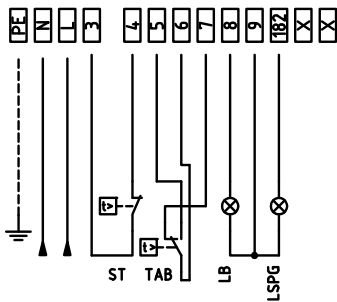


Fig. 20: Progressive burners

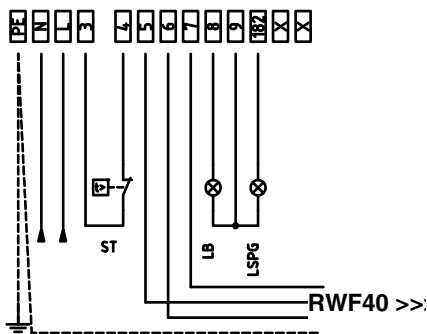


Fig. 22: Fully modulating burners

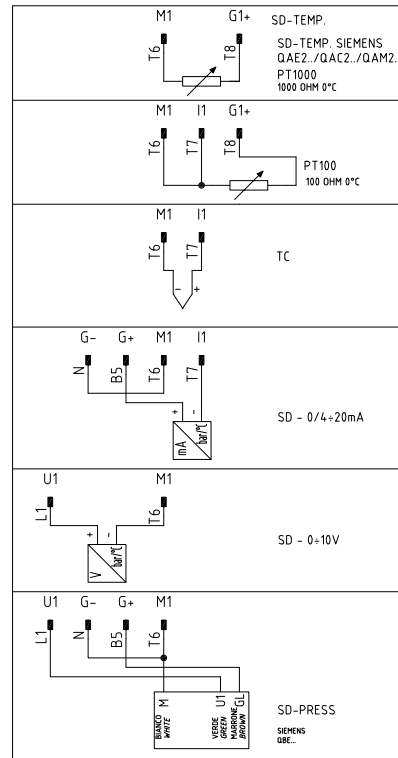


Fig. 21: Probes connection

Probes connection by means of the 7-pins plug (Fig. 23) - see Fig. 21 for connections.

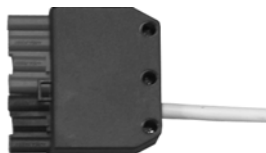


Fig. 23

**Electrical wiring diagram for burners with no printed circuit provided**

If the burner is ordered without printed circuit, follow the next connections diagrams.

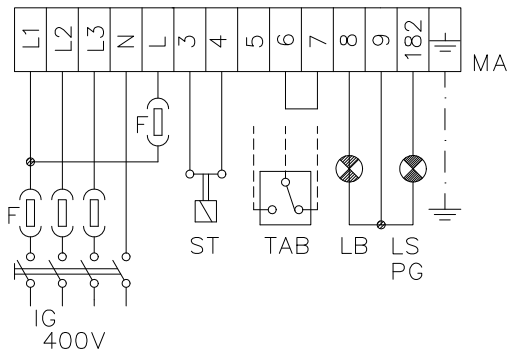


Fig. 24 - Progressive burners

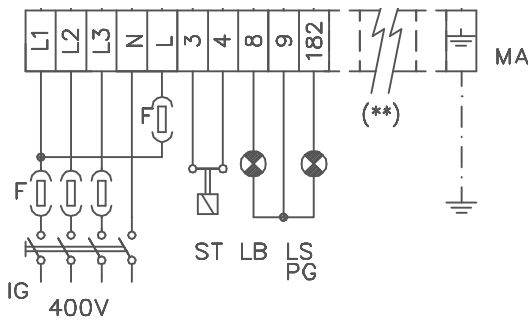


Fig. 26 - Fully modulating burners

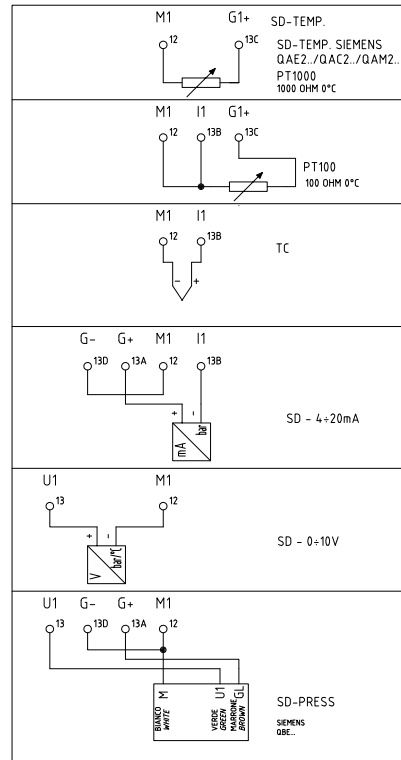


Fig. 25 - Probes connection

(\*\*) Probes connection

Probes connection by means of the 7-pins plug (Fig. 27) - see Fig. 25 for connections.

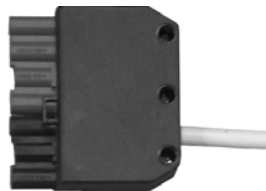


Fig. 27

**Rotation of fan motor**

Once the electrical connection of the burner is executed, remember to check the rotation of the fan motor. The motor should rotate according to the "arrow" symbol on the body. In the event of wrong rotation, reverse the three-phase supply and check again the rotation of the motor.

	<b>CAUTION: check the motor thermal cut-out adjustment</b>
--	--

**NOTE: the burners are supplied for three-phase 400V supply, and in the case of three-phase 230V supply it is necessary to modify the electrical connections into the terminal box of the electric motor and replace the overload tripped relay.**

## ADJUSTING AIR AND GAS

### *Combustion head gas pressure curves depending on the flow rate*

**Curves are referred to pressure = 0mbar in the combustion head!**

The curves referred to the gas pressure in the combustion head, depending on the gas flow rate, are referred to the burner properly adjusted (percentage of residual O<sub>2</sub> in the flues as shown in the "Recommended combustion values" table and CO in the standard limits). During this stage, the combustion head, the gas butterfly valve and the actuator are at the maximum opening. Refer to Fig. 28, showing the correct way to measure the gas pressure, considering the values of pressure in combustion chamber, surveyed by means of the pressure gauge or taken from the boiler's Technical specifications.

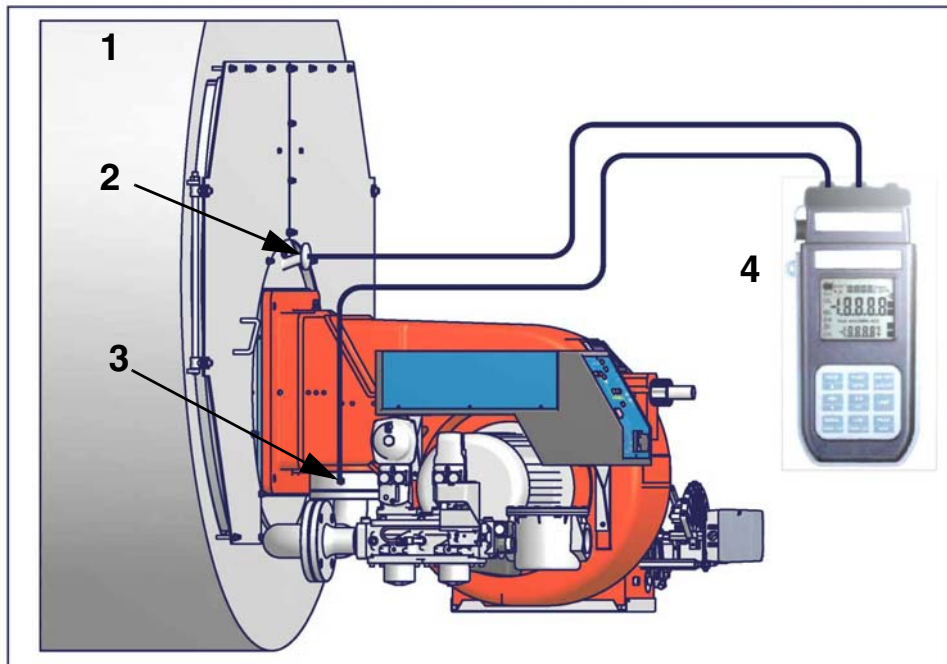


Fig. 28

#### **Key**

- 1 Generator
- 2 Pressure outlet on the combustion chamber
- 3 Gas pressure outlet on the butterfly valve
- 4 Differential pressure gauge

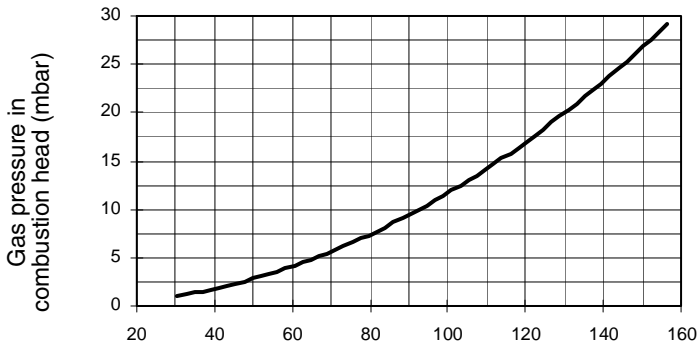
### ***Measuring the gas pressure in the combustion head***

In order to measure the pressure in the combustion head, insert the pressure gauge probes: one into the combustion chamber's pressure outlet (Fig. 28-2) to get the pressure in the combustion chamber and the other one into the butterfly valve's pressure outlet of the burner (Fig. 28-3). On the basis of the measured differential pressure, it is possible to get the maximum flow rate: in the pressure - rate curves (showed on the next paragraph), it is easy to find out the burner's output in Stm<sup>3</sup>/h (quoted on the x axis) from the pressure measured in the combustion head (quoted on the y axis). The data obtained must be considered when adjusting the gas flow rate.

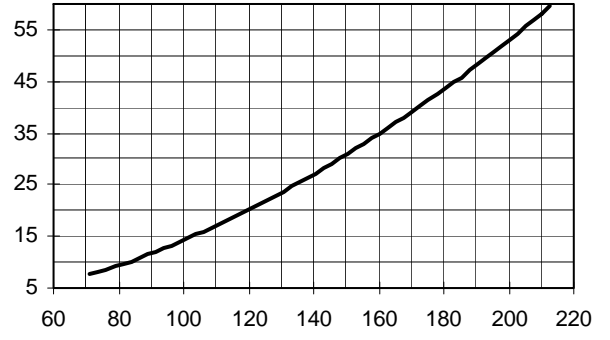
**NOTE: THE PRESSURE-RATE CURVES ARE GIVEN AS INFORMATION ONLY; FOR A PROPER SETTING OF THE GAS RATE, PLEASE REFER TO THE GAS METER READING.**

**Pressure in combustion head - gas flow rate curves**

**RX90**



**RX91**



Stm³/h

Stm³/h



Caution: the gas rate value is quoted on the x-axis, the related network pressure is quoted on the y-axis (pressure value in the combustion chamber is not included). To know the minimum pressure at the gas train inlet, necessary to get the requested gas rate, add the pressure value in the combustion chamber to the value read on the y-axis.

## Adjusting air and gas flow rates

### Gas Filter

The gas filters remove the dust particles that are present in the gas, and prevent the elements at risk (e.g.: burners, counters and regulators) from becoming rapidly blocked. The filter is normally installed upstream from all the control and on-off devices.

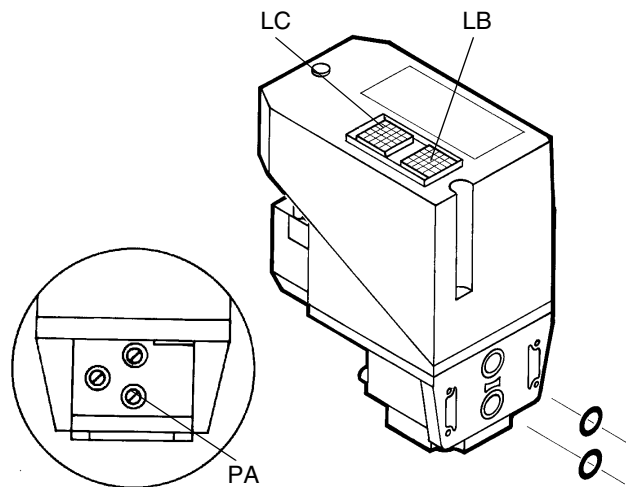
### VPS504 Gas proving system

The VPS504 checks the operation of the seal of the gas shut off valves. This check is carried out as soon as the boiler thermostat **TAB** gives a start signal to the burner, creating, by means of the diaphragm pump inside it, a pressure in the test space of 20 mbar higher than the supply pressure.

When wishing to monitor the test, install a pressure gauge into the pressure supply point **PA**.

If the test cycle is satisfactory, after a few seconds the consent light **LC** (yellow) comes on. Otherwise, the lockout light **LB** (red) comes on.


To restart, it is necessary to reset the appliance by pressing the pushbutton **LB**.




### Actuator

The actuator provided can be either Berger STM30../Siemens SQM40.. (see page 25) or Siemens SQL33.. (see page 27).

## Adjusting air and gas flow rates

	<b>ATTENTION:</b> before starting the burner up, be sure that the manual cutoff valves are open and check that the pressure upstream the gas train complies the value quoted on paragraph “Technical specifications”. Be sure that the mains switch is closed.
	<b>ATTENTION:</b> During commissioning operations, do not let the burner operate with insufficient air flow (danger of formation of carbon monoxide); if this should happen, make the gas decrease slowly until the normal combustion values are achieved.
	<b>WARNING: NEVER LOOSE THE SEALED SCREWS! OTHERWISE, THE DEVICE WARRANTY WILL BE IMMEDIATELY INVALIDATE!</b>

	<b>IMPORTANT!</b> the combustion air excess must be adjusted according to the suggested values in the following chart:
---	--

Recommended combustion parameters		
Fuel	Recommended (%) CO <sub>2</sub>	Recommended (%) O <sub>2</sub>
Natural gas	9 ÷ 10	3 ÷ 4.8

### Adjustments - brief description

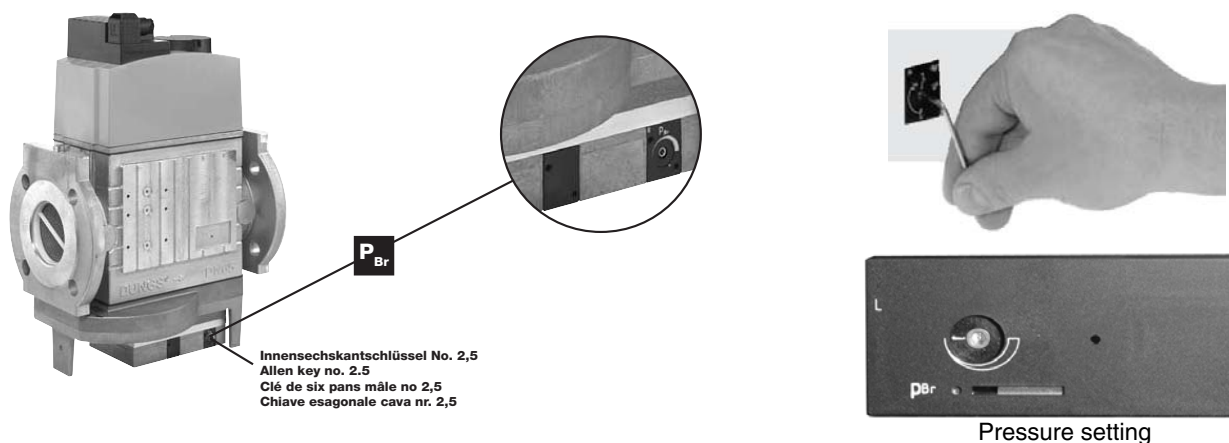
Adjust the air and gas flow rates at the maximum output (“high flame”) first, by means of the air damper and the adjusting cam respectively.

- Check that the combustion parameters are in the suggested limits.
- Check the flow rate measuring it on the counter or, if it was not possible, verifying the combustion head pressure by means of a differential pressure gauge, as described on page 21.
- Then, adjust the combustion values corresponding to the points between maximum and minimum: set the shape of the adjusting cam foil. The adjusting cam sets the air/gas ratio in those points, regulating the opening-closing of the throttle gas valve.
- Set, now, the low flame output, acting on the low flame microswitch of the actuator in order to avoid the low flame output increasing too much or that the flues temperature gets too low to cause condensation in the chimney.

### Adjustment procedure

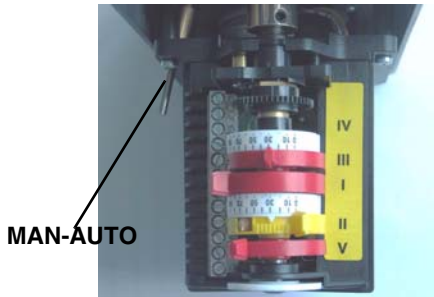
To change the burner setting during the testing in the plant, follow the next procedure.

On the DUNGS MBC..SE gas valves group, set the pressure regulator to 1/3 of its stroke, using a 2.5 allen key.

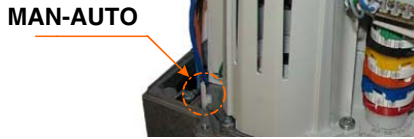


Now, adjust the burner according to the actuator model provided.

**Air and Gas Flow Rate Settings by means of Berger STM30../Siemens SQM40.. actuator**



Berger STM30

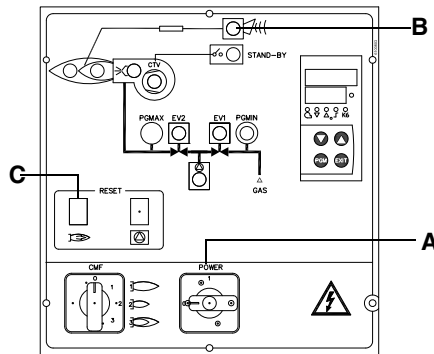


Siemens SQM40

**Actuator cams**

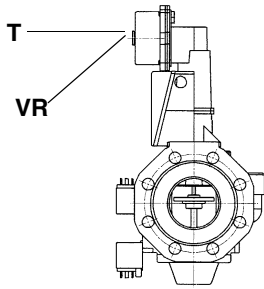
- I High flame
- II Stand-by and Ignition
- III Low flame

- 1 Check the fan motor rotation and act directly on the related contactor (see next picture).
- 2 Before starting the burner up, drive the high flame actuator microswitch matching the low flame one (in order to let the burner operates at the lowest output) to safely achieve the high flame stage.
- 3 Turn the burner on by means of its main switch **A** (see next picture): if the burner locks (LED **B** on in the control panel) press the RESET button (**C**) on the control panel - see chapter "OPERATION".
- 4 Start the burner up by means of the thermostat series and wait until the pre-purge time comes to an end and the burner starts up;

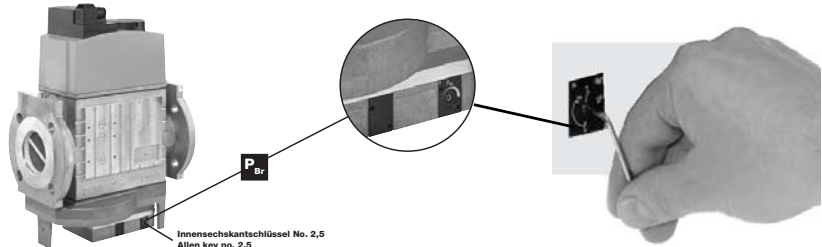


- 5 drive the burner to high flame stage, by means of the thermostat **TAB** (high/low flame thermostat - see Wiring diagrams), as far as fully-modulating burners, see related paragraph.
- 6 Then move progressively the microswitch to higher values until it reaches the high flame position; always check the combustion values and eventually adjusting the gas by means of the valves group stabiliser.
- 7 go on adjusting air and gas flow rates: check, continuously, the flue gas analysis, as to avoid combustion with little air; dose the air according to the gas flow rate change following the steps quoted below;
- 8 acting on the pressure stabiliser of the valves group, adjust the **gas flow rate in the high flame stage** as to meet the values requested by the boiler/utilisation:
  - **Siemens VGD valves group:** remove cap **T** and act on the **VR** adjusting screw to increase or decrease the pressure and consequently the gas rate; screwing **VR** the rate increases, unscrewing it decreases (see next figure).
  - **Dungs MBC..SE valves group:** act on its pressure governor to increase or decrease the pressure and consequently the gas rate.





Siemens VGD..

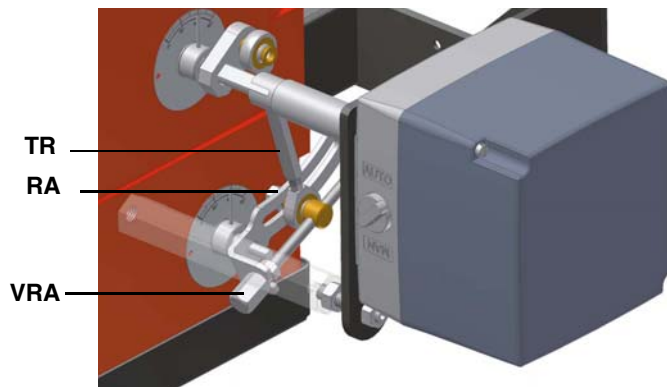


Innensechskantschlüssel No. 2,5  
Allen key no. 2,5  
Clé de six pans mètre no 2,5  
Chiave esagonale cava nr. 2,5

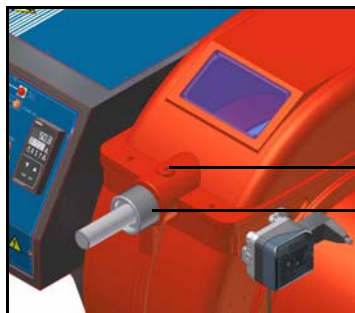
Dungs MBC..SE

- 9 To adjust the **air flow rate in the high flame stage**, loose the **RA** nut and screw **VRA** as to get the desired air flow rate: moving the rod **TR** towards the air damper shaft, the air damper opens and consequently the air flow rate increases, moving it far from the shaft the air damper closes and the air flow rate decreases.

**Note:** once the procedure is performed, be sure that the blocking nut **RA** is fasten. Do not change the position of the air damper rods.



- 10 Only if necessary, change the combustion head position: the burner is factory-set according to its combustion head model.
- **LX90-91-510:** The burner is factory-set with the head in its "all-ahead" position, as for the minimum output. To operate at a higher power, loosen the **VB** screw and slightly move the combustion head backwards, turning clockwise the knob **VRT**. Fasten **VB** screw when the adjustment is accomplished.



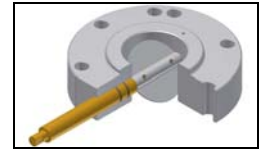
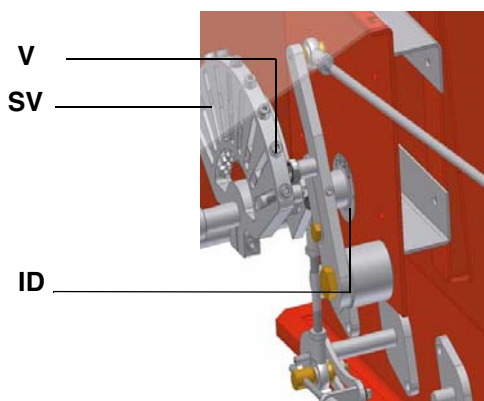
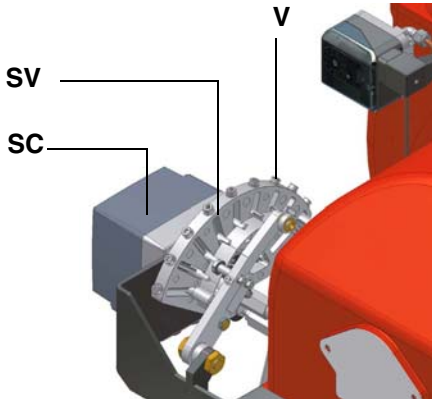
"all-ahead" position

"all-backwards" head position

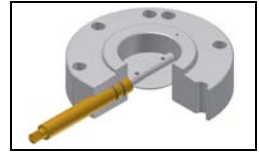


**Attention!** if it is necessary to change the head position, repeat the air and gas adjustments described above.

- the air and gas rate are now adjusted at the maximum power stage, go on with the point to point ajustement on the **SV** adjusting cam as to reach the minimum output point.
- as for the point-to-point regulation, move the gas low flame microswitch (cam III) a little lower than the maximum position (90°);
- set the **TAB** thermostat to the minimum in order that the actuator moves progressively towards the low flame position;
- move cam III to the minimum to move the actuator towards the low flame until the two bearings find the adjusting screw that refers to the lower position: screw **V1** to increase the rate, unscrew to decrease.
- Move again cam III towards the minimum to meet the next screw on the adjusting cam and repeat the previous step; go on this way as to reach the desired low flame point.
- Now adjust the pressure switches (see next par.).



Gas throttle valve open

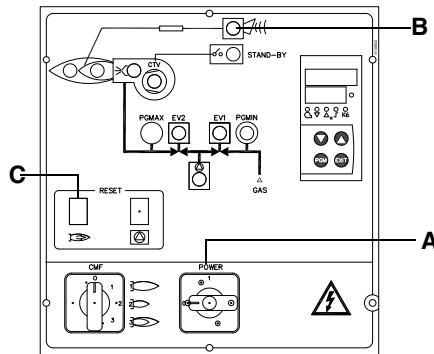


Gas throttle valve closed

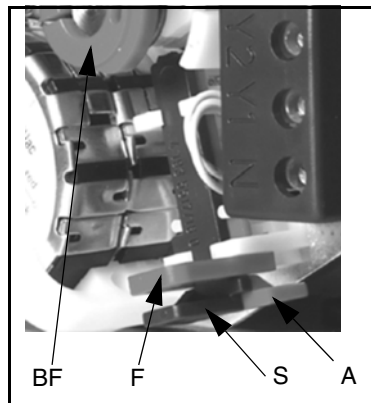
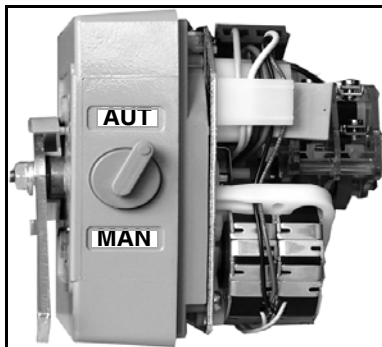
- 17 If it is necessary to change the burner output in the low flame stage, move cam III: the low flame position must never match the ignition position, that is why cam III must be set 20°- 30° more than cam II.
- 18 Turn the burner off; then start the burner up again. If the adjustment is not correct, repeat the previous steps.

**Adjustment by the Siemens SQL33.. actuator**

- 1 open the electrical panel to check the fan motor rotation and act directly on the related contactor (see next picture).
- 2 Turn the burner on by means of its main switch **A**: if the burner locks (LED **B** on in the control panel) press the RESET button (**C**) on the control panel - see chapter "OPERATION" on page 31 .



- 3 Start the burner up by means of the thermostat series and wait until the pre-purge time comes to an end and that the burner starts up;
- 4 the burner starts up with the actuator on the ignition position, set it to the **MAN** (manual mode), by the **MAN/AUTO** selector (ignition position= read on the air damper index **ID1** - see picture on pag.31);
- 5 disconnect the **TAB** thermostat removing the wire from the terminal no. 6 or by setting **MAN** on the RWF40 modulator or by setting 0 by means of the **CMF** switch (only for fully-modulating burners);
- 6 manually drive the adjusting cam **SV** to the high flame position and set the actuator to the **AUTO** mode (by the related switch - see picture) to lock the adjusting cam.



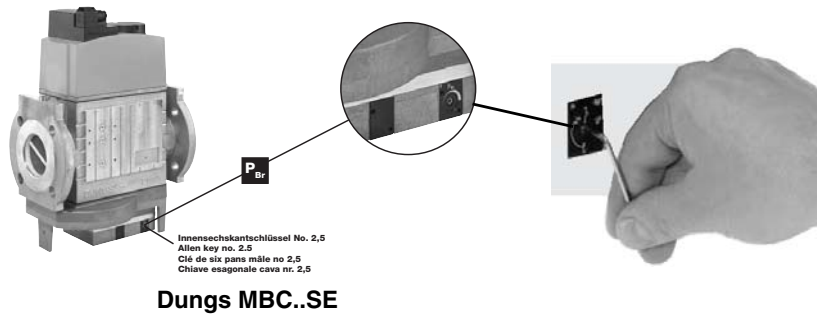
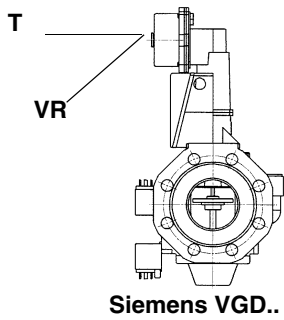
**SQL330.. actuator cams**

- A = (red) cam locking lever for "high flame"
- S = (green) cam locking lever for "stand-by and ignition"
- BF = Low flame
- F = plastic cam

- 7 go on adjusting air and gas flow rates: check, continuously, the flue gas analysis, as to avoid combustion with little air; dose the air according to the gas flow rate change following the steps below;
- 8 acting on the pressure stabiliser of the valves group, adjust the **gas flow rate in the high flame stage** as to meet the values requested by the boiler/utilisation:

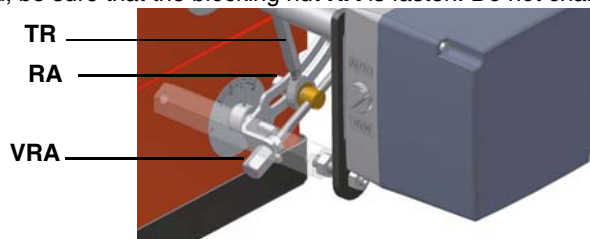
- **Siemens VGD valves group:** remove cap **T** and act on the **VR** adjusting screw to increase or decrease the pressure and consequently the gas rate; screwing **VR** the rate increases, unscrewing it decreases (see next figure).

- **Dungs MBC..SE valves group:** act on its pressure governor to increase or decrease the pressure and consequently the gas rate.

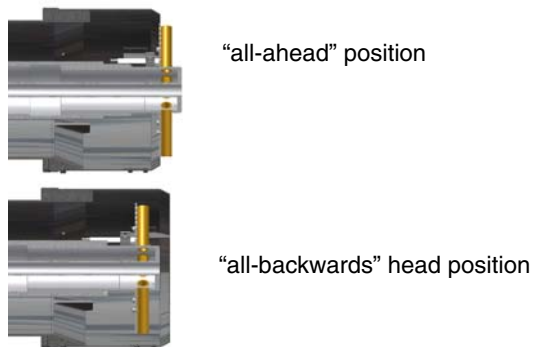
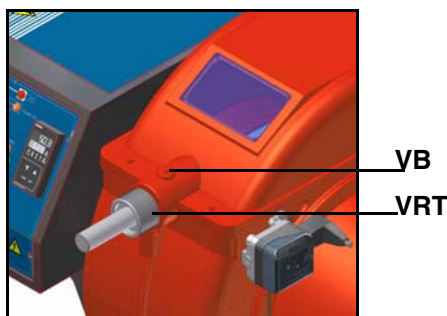



9 To adjust the **air flow rate in the high flame stage**, loose the **RA** nut and screw **VRA** as to get the desired air flow rate: moving the rod **TR** towards the air damper shaft, the air damper opens and consequently the air flow rate increases, moving it far from the shaft the air damper closes and the air flow rate decreases.

**Note:** once the procedure is performed, be sure that the blocking nut **RA** is fasten. Do not change the position of the air damper rods.

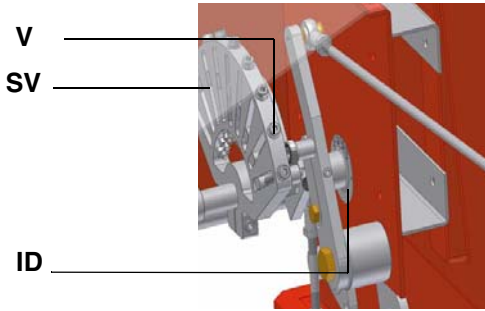
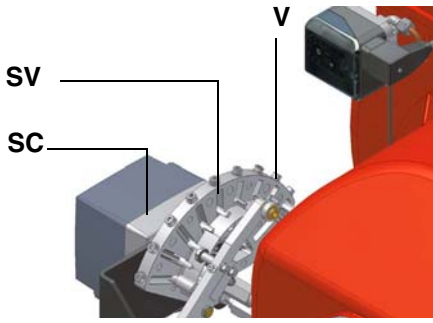


10 Only if necessary, change the combustion head position: the burner is factory-set according to its combustion head model. The burner is factory-set with the head in its "all-ahead" position, as for the minimum output. To operate at a higher power, loosen the **VB** screw and slightly move the combustion head backwards, turning clockwise the knob **VRT**. Fasten **VB** screw when the adjustment is accomplished.

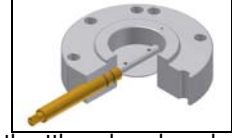


 **Attention!** if it is necessary to change the head position, repeat the air and gas adjustments described above.

- 11 the air and gas rate are now adjusted at the maximum output, go on with the point to point adjustment on the **SV1** adjusting cam as to reach the minimum output point: gradually move the adjusting cam in order to adjust each of the **V1** screws as to set the cam foil shape as described on the next steps:
- 12 to change the **SV** position set the actuator on the manual mode (MAN), turn the adjusting cam **SV** and set again the actuator to the AUTO mode to lock the adjusting cam;
- 13 act on the **V** screw that matches the bearings referring to the adjusting cam position;
- 14 to adjust the next screw, set again the actuator mode to MAN, turn the adjusting cam and set the actuator to AUTO mode to lock the adjusting cam on the next screw; adjust it and go on this way to adjust all the screws in order to set the cam foil shape, according to the combustion values read.
- 15 Once the cam foil shape is defined, reconnect the **TAB** thermostat reconnecting the wire to the terminal no.6 or setting the RWF40 burner modulator to AUTO or the CMF switch to 3 (only for fully-modulating burner).

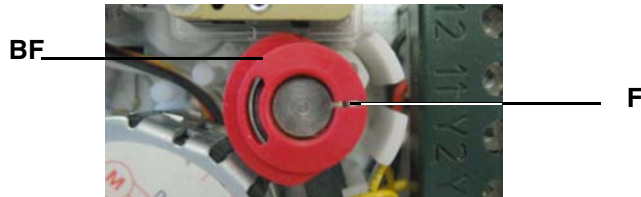


Gas throttle valve open



Gas throttle valve closed

- 16 Turn the burner off, then start it up again.
- 17 Once the pre-purge time comes to end, drive the burner to the high flame stage by the **TAB** thermostat and check the combustion values;
- 18 drive the burner to low flame, if necessary adjust the low flame size (output) by inserting a screwdriver on the slot **F** to move the **BF** cam.



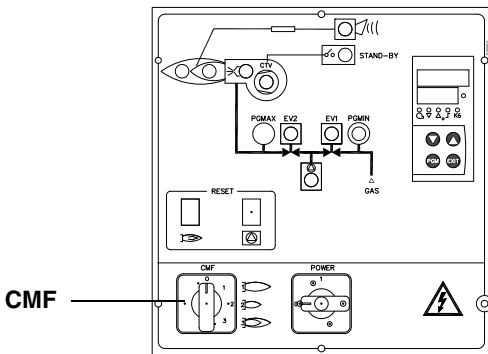
- 19 The low flame position must never match the ignition position that is why cam **BF1** must be set 20°- 30° more than the ignition position (see **ID** index on previous pictures).
- 20 Now adjust the pressure switches (see next paragraphs).

**Fully modulating burners**

To adjust the fully-modulating burners, use the **CMF** switch on the burner control panel (see next picture), instead of the **TAB** thermostat as described on the previous paragraphs about the progressive burners. Go on adjusting the burner as described before, paying attention to use the **CMF** switch instead of **TAB**.

The **CMF** position sets the operating stages: to drive the burner to the high-flame stage, set **CMF=1**; to drive it to the low-flame stage, set **CMF=2**.

To move the adjusting cam set **CMF=1** or **2** and then **CMF=0**.



- CMF = 0 stop at the current position
- CMF = 1 high flame operation
- CMF = 2 low flame operation
- CMF = 3 automatic operation

**Calibration of air and gas pressure switches ( Fig. 29- 2 - 5)**

The **air pressure switch** locks the control box if the air pressure is not the one requested. If it happens, unlock the burner by means of the control box unlock pushbutton, placed on the burner control panel.

The **gas pressure switches** check the pressure to avoid the burner operate when the pressure value is not in the requested pressure range.



**Calibration of air pressure switch**

To calibrate the air pressure switch, proceed as follows:

- Remove the transparent plastic cap.
- Once air and gas setting have been accomplished, startup the burner.
- During the pre-purge phase of the operation, turn slowly the adjusting ring nut **VR** in the clockwise direction (as to increase the adjusting pressure) until the burner lockout, then read the value on the pressure switch scale and set it to a value reduced by 15%.
- Repeat the ignition cycle of the burner and check it runs properly.
- Refit the transparent plastic cover on the pressure switch.

### ***Calibration of low gas pressure switch***

As for the gas pressure switch calibration, proceed as follows:

- Be sure that the filter is clean.
- Remove the transparent plastic cap.
- While the burner is operating at the maximum output, test the gas pressure on the pressure port of the minimum gas pressure switch.
- Slowly close the manual cutoff valve (placed upstream the pressure switch, see gas train installation diagram), until the detected pressure is reduced by 50%. Pay attention that the CO value in the flue gas does not increase: if the CO values are higher than the limits laid down by law, slowly open the cutoff valve as to get values lower than these limits.
- Check that the burner is operating correctly.
- Clockwise turn the pressure switch adjusting ring nut (as to increase the pressure value) until the burner stops.
- Slowly fully open the manual cutoff valve.
- Refit the transparent plastic cover on the pressure switch.

### ***Adjusting the high gas pressure switch (when provided)***

To calibrate the high pressure switch, proceed as follows according to its mounting position:

- 1 remove the pressure switch plastic cover;
- 2 if the maximum pressure switch is mounted upstream the gas valves: measure the gas pressure in the network, when flame is off; by means of the adjusting ring nut **VR**, set the value read, increased by the 30%.
- 3 if the maximum pressure switch is mounted downstream the “gas governor-gas valves” group and upstream the butterfly valve: light the burner, adjust it according to the procedure in the previous paragraph. Then, measure the gas pressure at the operating flow rate, downstream the “gas governor-gas valves” group and upstream the butterfly valve; by means of the adjusting ring nut **VR**, set the value read on step 2, increased by the 30%;
- 4 replace the plastic cover.

## PART II: OPERATION

## LIMITATIONS OF USE

THE BURNER IS AN APPLIANCE DESIGNED AND CONSTRUCTED TO OPERATE ONLY AFTER BEING CORRECTLY CONNECTED TO A HEAT GENERATOR (E.G. BOILER, HOT AIR GENERATOR, FURNACE, ETC.), ANY OTHER USE IS TO BE CONSIDERED IMPROPER AND THEREFORE DANGEROUS.

THE USER MUST GUARANTEE THE CORRECT FITTING OF THE APPLIANCE, ENTRUSTING THE INSTALLATION OF IT TO QUALIFIED PERSONNEL AND HAVING THE FIRST COMMISSIONING OF IT CARRIED OUT BY A SERVICE CENTRE AUTHORIZED BY THE COMPANY MANUFACTURING THE BURNER.

A FUNDAMENTAL FACTOR IN THIS RESPECT IS THE ELECTRICAL CONNECTION TO THE GENERATOR'S CONTROL AND SAFETY UNITS (CONTROL THERMOSTAT, SAFETY, ETC.) WHICH GUARANTEES CORRECT AND SAFE FUNCTIONING OF THE BURNER.

THEREFORE, ANY OPERATION OF THE APPLIANCE MUST BE PREVENTED WHICH DEPARTS FROM THE INSTALLATION OPERATIONS OR WHICH HAPPENS AFTER TOTAL OR PARTIAL TAMPERING WITH THESE (E.G. DISCONNECTION, EVEN PARTIAL, OF THE ELECTRICAL LEADS, OPENING THE GENERATOR DOOR, DISMANTLING OF PART OF THE BURNER).

NEVER OPEN OR DISMANTLE ANY COMPONENT OF THE MACHINE.

OPERATE ONLY THE MAIN SWITCH, WHICH THROUGH ITS EASY ACCESSIBILITY AND RAPIDITY OF OPERATION ALSO FUNCTIONS AS AN EMERGENCY SWITCH, AND ON THE RESET BUTTON.

IN CASE OF A BURNER SHUT-DOWN, RESET THE CONTROL BOX BY MEANS OF THE RESET PUSHBUTTON. IF A SECOND SHUT-DOWN TAKES PLACE, CALL THE TECHNICAL SERVICE, WITHOUT TRYING TO RESET FURTHER.

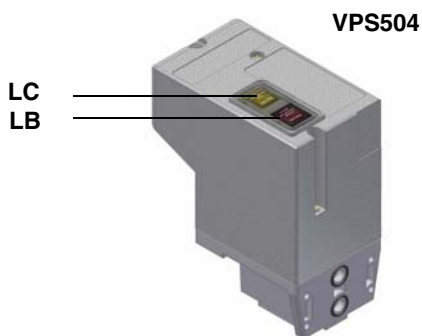
WARNING: DURING NORMAL OPERATION THE PARTS OF THE BURNER NEAREST TO THE GENERATOR (COUPLING FLANGE) CAN BECOME VERY HOT, AVOID TOUCHING THEM SO AS NOT TO GET BURNT.

## OPERATION



**ATTENTION:** before starting the burner up, be sure that the manual cutoff valves are open and check that the pressure upstream the gas train complies the value quoted on paragraph "Technical specifications".

- 1 Turn to the "ON" position the main switch **A**, on the burner's control panel (see Fig. 29).
- 2 Check the control box is not locked (LED **B**, on) and eventually release it by means of the pushbutton **C** (reset - for more information about the device, please refer to the manual's Appendix).
- 3 Check the series of thermostats or pressure switches gives the burner the start signal for operating (closed contact).
- 4 Check that the gas pressure in the gas network is sufficient (if the pressure is normal, the LED **E** lights up).
- 5 The gas proving system checking cycle starts: the proving system **LC** LED lights up when the cycle ends.



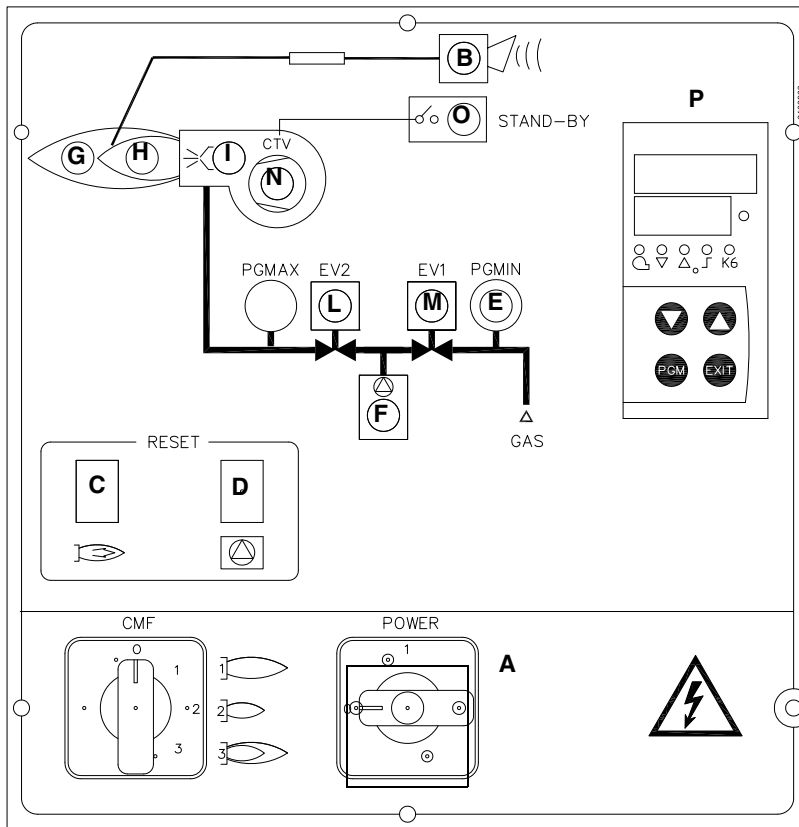
- 6 The fan motor starts, the servocontrol drives the air damper to the maximum opening position (LED **G** on); the pre-purge time countdown starts now.
- 7 At the end of the pre-purge time, the air damper moves to the ignition position (about 5°), the ignition transformer is energised (LED **I** on), the solenoid gas valves **EV1** and **EV2** are energised (LEDs **L** and **M** on). As far as burners with pilot gas train, the pilot gas valves open.
- 8 The flame must lights up within few seconds after the gas valves opening, otherwise the control box locks out. Few seconds after



the gas valves opening, the transformer is de-energised and the LED I turns off. The burner is now operating and at the same time the servocontrol moves to the hi-flame position (90° - see page 21).

- 9 Some seconds after the gas valves opening, the burner starts the automatic operation: it automatically switches to low or high flame stage (progressive PR- burners) or to the operation requested by the burner modulator (Fully modulating - MD burners) according to the requirements of the plant. As far as the modulator is concerned, refer to the related manual.

Fig. 29 - Burner front panel



**Key**

- A** Main switch
- B** Lock-out LED
- C** Reset pushbutton for control box
- D** Reset pushbutton for gas proving system (only for burners provided with Siemens LDU11)
- E** "Gas pressure switch signal" LED
- F** "Lock-out" LED for gas proving system
- G** Hi-flame operation LED
- H** Lo-flame operation LED
- I** "Ignition transformer operation" LED
- L** "EV2 opening" LED
- M** "EV1 opening" LED
- N** "Fan motor overload tripped" LED
- O** "Burner in stand-by" LED
- P** Burner Modulator (only on fully modulating burners)

## PART III: MAINTENANCE

At least once a year carry out the maintenance operations listed below. In the case of seasonal servicing, it is recommended to carry out the maintenance at the end of each heating season; in the case of continuous operation the maintenance is carried out every 6 months.



**WARNING: ALL OPERATIONS ON THE BURNER MUST BE CARRIED OUT WITH THE MAINS DISCONNECTED AND THE FUEL MANUAL CUTOFF VALVES CLOSED!**

**ATTENTION: READ CAREFULLY THE "WARNINGS" CHAPTER AT THE BEGINNING OF THIS MANUAL..**

### ROUTINE MAINTENANCE

- Clean and examine the gas filter cartridge and replace it if necessary (see next paragraph);
- Remove and clean the combustion head (see page 35);
- Examine and clean the ignition electrodes, adjust and replace them if necessary (see page 37);
- Examine and clean the detection electrode/photoelement (according to the burner models), replace it if necessary (see page 38), in case of doubt, check the detection circuit, after the burner start-up (see page 38);
- Clean and grease leverages and rotating parts.



**ATTENTION:** when servicing, if it was necessary to disassemble the gas train parts, remember to execute the gas proving test, once the gas train is reassembled, according to the procedure imposed by the law in force.

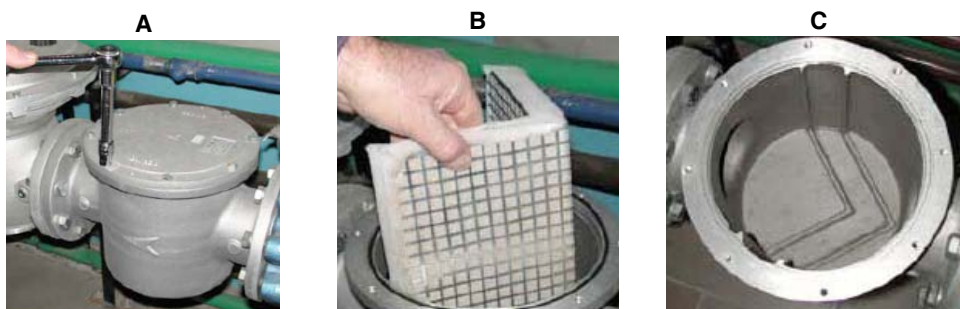
### Gas filter maintenance



**ATTENTION:** Before opening the filter, close the manual cutoff valve downstream the filter and bleed the gas; check that inside the filter there is no pressurised gas.

To clean or remove the filter, proceed as follows:

- 1 remove the cap unscrewing the fixing screws (A);
- 2 remove the filtering cartridge (B), clean it using water and soap, blow it with compressed air (or replace it, if necessary)
- 3 replace the cartridge in its proper position taking care to place it inbetween the guides as not to hamper the cap replacement;
- 4 be sure to replace the "O" ring into its place (C) and replace the cover fastening by the proper screws (A).



### Inspection and replacement of the MULTIBLOC DUNGS MBC..SE filter (Threaded valves group)

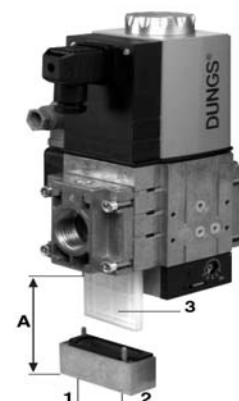
Inspect the filter at least once a year.

- Change the filter, if pressure value between pressure connections 1 and 2 is greater than 10 mbar.
- Change the filter, if pressure value between pressure connections 1 and 2 is twice as high compared to the last inspection.

1. Interrupt gas supply: close ball valve
2. Remove screws 1-2
3. Replace the filter insert 3
4. Screw in screws 1-2 without use force to fasten.
5. Perform leakage and function test.
6. Pay attention that dirt does not fall inside the valve.

Space requirements for fitting filter, A: from 150 to 230 mm.

Fig.30

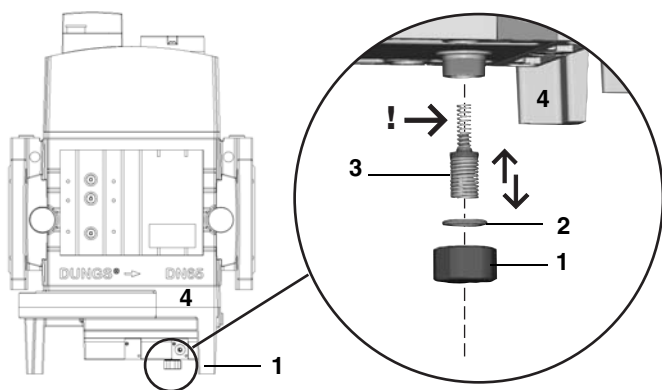




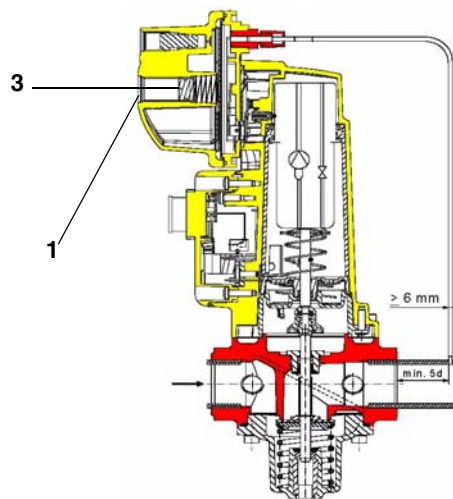
### Replacing the spring in the gas valve group

To replace the spring in the gas valve group, proceed as follows:

- 1 Carefully twist the protection cap 1 and the O-ring 2.
- 2 remove the "set value" spring 3 from housing 4.
- 3 Replace spring 3.
- 4 Carefully insert the new "set value" spring. Pay attention to mount properly. First insert the spring part with smaller diameter in the housing.
- 5 Place O-ring 2 in protective cap 1. Screw in the protective cap with the O-ring in it.
- 6 Stick the adhesive label for spring identification on the type plate.



DUNGS MBC..SE

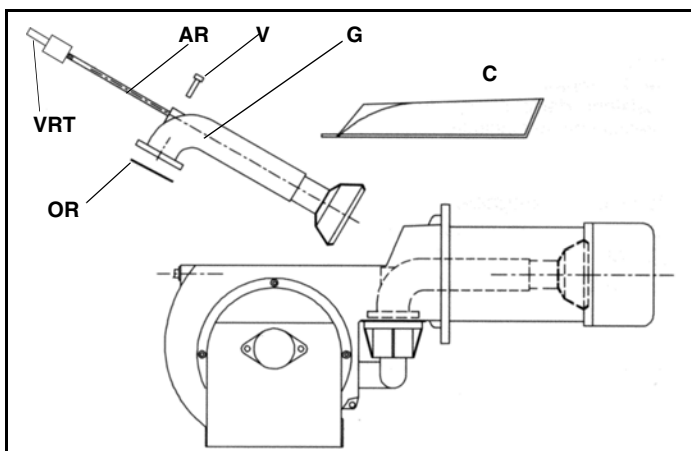


SKP Siemens actuator

## Removing the combustion head

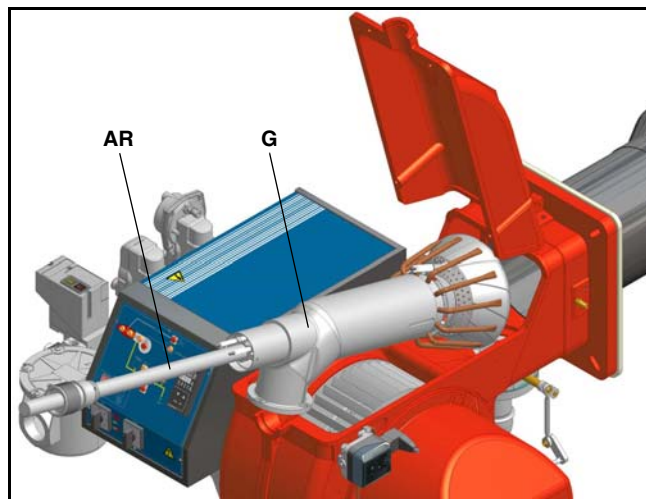
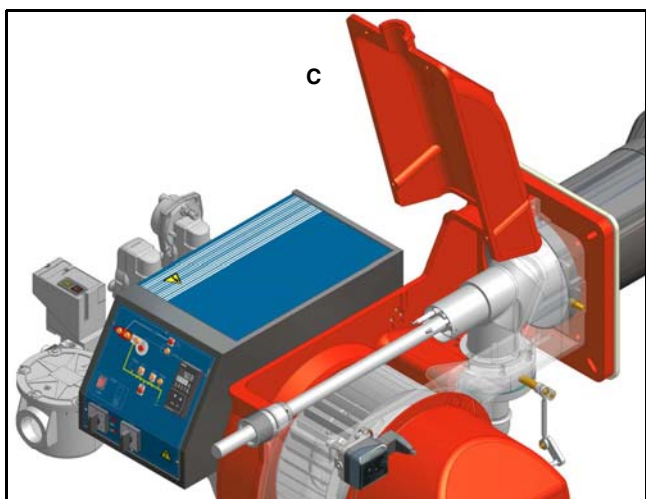
- Remove the cover **C**.
- remove the electrodes cables;
- unscrew the 3 screws **V** which hold in position the gas manifold **G** and pull out the complete group as shown in picture.

**Note:** to replace the combustion head reverse the procedure described above having care to place correctly the O ring (**OR**) between burner and gas manifold.



### Key

VRT	Head adjusting screw
AR	Threaded rod
V	Fixing screw
G	Gas manifold
OR	"O" ring
C	Cover



## Electrodes Adjustment

**Important Note:** Check the ignition and detection electrodes after removing/adjusting the combustion head.



**ATTENTION:** avoid the ignition and detection electrodes to contact metallic parts (blast tube, head, etc.), otherwise the boiler's operation would be compromised. Check the electrodes position after any intervention on the combustion head.

The gap between ignition electrode E and grounded electrode M must be 4mm.

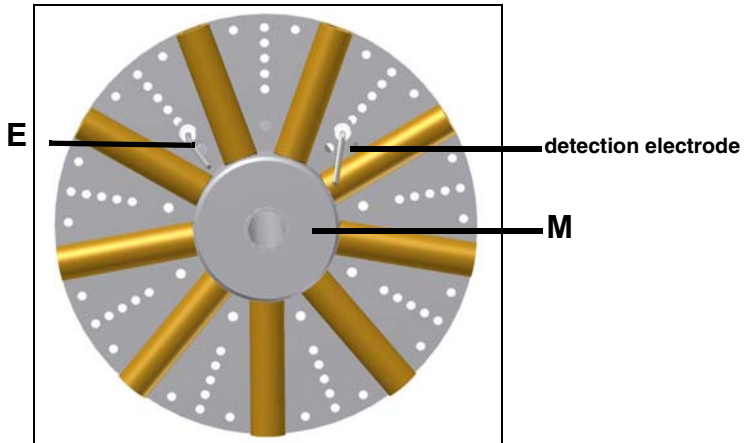


Fig. 31

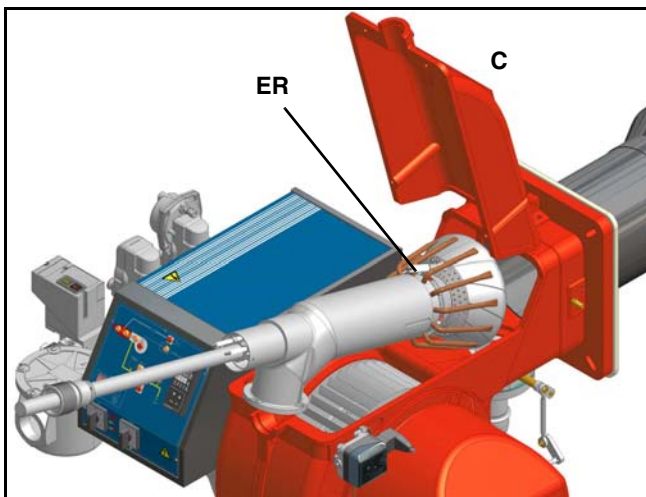
## Replacing the electrodes



**ATTENTION:** avoid the ignition and detection electrodes to contact metallic parts (blast tube, head, etc.), otherwise the boiler's operation would be compromised. Check the electrodes position after any intervention on the combustion head.

To replace the electrodes, proceed as follows:

- 1 remove the burner cover **C**;
- 2 disconnect the electrodes cables;
- 3 remove the combustion head referring to paragraph "Removing the combustion head";
- 4 unscrew **VE** screws that fasten the electrodes (see picture)
- 5 remove the electrodes and replace them referring to the quotes in the previous paragraph;
- 6 reconnect the electrodes cables;
- 7 replace the combustion head;
- 8 replace the burner cover.



**Checking the detection current (for models without printed circuit board)**

To check the detection signal follow the scheme in Fig. 32 or Fig. 33. If the signal is less than the value indicated, check the position of the detection electrode or detector, the electrical contacts and, if necessary, replace the electrode or the detector.

Control box	Minimum detection signal
Siemens LFL1.3..	6 $\mu$ A (with electrode)
Siemens LFL1.3..	70 $\mu$ A with UV detector)

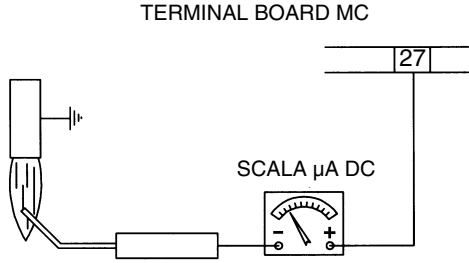


Fig. 32: Detection by electrode

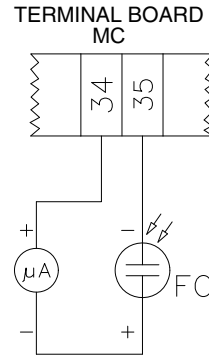
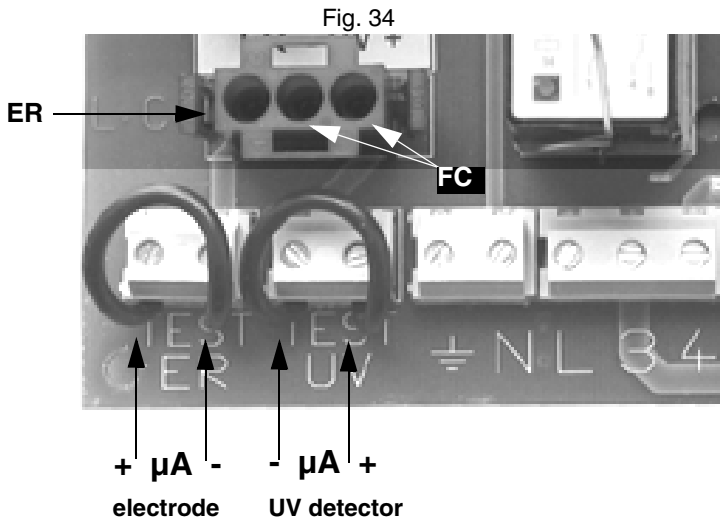


Fig. 33: Detection by photocell QRA..

**Check of the detection current (with printed circuit)**

To check the detection signal remove the bridge on "TEST ER" or "TEST UV" and connect a micro ammeter when Fig. 34. If the signal is less than the value indicated, check the position of the detection electrode or detector, the electrical contacts (one ER terminal for the electrode, two FC terminals for the UV probe - see picture on the side) and, if necessary, replace the electrode or the UV detector.

Control box	Minimum detection signal
Siemens LFL1.3..	6 $\mu$ A (with electrode)
Siemens LFL1.3..	70 $\mu$ A (with UV detector)



## TROUBLESHOOTING

CAUSE	TROUBLE										
	THE BURNER DOESN'T START	CONTINUE WITH PRE-PURGE	DOESN'T START AND LOCK-OUT	DOESN'T START AND REPEATS THE CYCLE	STARTS AND REPEATS THE CYCLE	STARTS AND LOCK-OUT	THE FLAME MONITOR DEVICE DOESN'T GIVE CONSENT TO START	DOESN'T SWITCH TO HIGH FLAME	DOESN'T RETURN IN LOW FLAME	LOCK-OUT DURING OPERATION	TTURNS OF AND REPEATS CYCLE DURING OPERATION
MAIN SWITCH OPEN	●										
LACK OF GAS	●			●							
MAXIMUM GAS PRESSURE SWITCH DEFECTIVE	●		●								
THERMOSTATS/PRESSURE SWITCHES DEFECTIVES	●			●							●
OVERLOAD TRIPPED INTERVENTION	●										
AUXILIARIES FUSE INTERRUPTED	●										
DEFECTIVE CONTROL BOX	●	●	●			●				●	
DEFECTIVE ACTUATOR	●	●	●								
AIR PRESSURE SWITCH FAULT OR BAD SETTING	●					●	●			●	
MINIMUM GAS PRESSURE SWITCH DEFECTIVE OR GAS FILTER DIRTY	●			●	●		●				●
IGNITION TRANSFORMER FAULT			●								
IGNITION ELECTRODES BAD POSITION			●								
BUTTERFLY VALVE BAD SETTING			●			●					
DEFECTIVE GAS GOVERNOR			●	●	●						●
GAS VALVE DEFECTIVE			●								
BAD CONNECTION OR DEFECTIVE HIGH/LOW FLAME THERMOSTAT OR PRESSURE SWITCH							●	●			
ACTUATOR CAM WRONG SETTING						●	●	●			
UV PROBE DIRTY OR DEFECTIVE			●			●				●	

### Seasonal stop

To stop the burner in the seasonal stop, proceed as follows:

- 1 turn the burner main switch to 0 (Off position)
- 2 disconnect the power mains
- 3 close the fuel valve of the supply line

### Burner disposal

In case of disposal, follow the instructions according to the laws in force in your country about the "Disposal of materials".

**SPARE PARTS**

Description	Code	
	RX90	RX91
CONTROL BOX	2020448	2020448
DETECTION ELECTRODE	2080106	2080107
IGNITION ELECTRODE	2080269	2080266
GAS FILTER - Rp 2"	2090119	2090119
GAS FILTER - DN65	2090117	2090117
GAS FILTER - DN80	2090112	2090112
GAS FILTER - DN100	2090113	2090113
GASKET	2110048	2110048
FAN WHEEL	2150009	2150009
AIR PRESSURE SWITCH	2160065	2160065
GAS PRESSURE SWITCH- GW50 A5	2160076	2160076
GAS PRESSURE SWITCH- GW150 A6	2160086	2160086
IGNITION TRANSFORMER mod. FIDA	2170301	2170301
IGNITION TRANSFORMER mod. COFI	2170108	2170108
MOTOR	2180276	2180277
GAS VALVE GROUP SIEMENS VGD.. Rp2"	2190171	2190171
GAS VALVE GROUP SIEMENS VGD.. DN65	2190172	2190172
GAS VALVE GROUP SIEMENS VGD.. DN80	2190169	2190169
GAS VALVE GROUP SIEMENS VGD.. DN100	2190174	2190174
GAS VALVE ACTUATOR SKP15	2190181	2190181
GAS VALVE ACTUATOR SKP25	2190183	2190183
GAS VALVE GROUP DUNGS MBC..SE Rp2"	21903M5	21903M5
GAS VALVE GROUP DUNGS MBC..SE DN65	21903M6	21903M6
GAS VALVE GROUP DUNGS MBC..SE. DN80	21903M7	21903M7
GAS VALVE GROUP DUNGS MBC..SE DN100	21903M8	21903M8
GAS PROVING SYSTEM	2191604	2191604
ACTUATOR BERGER STM30/24	2480090	2480090
ACTUATOR SIEMENS SQL33.03	2480007	2480007
ACTUATOR SIEMENS SQM40	24800A5	24800A5
BURNER MODULATOR	2570112	2570112
COMBUSTION HEAD	30600E3	30600F1
BLAST TUBE	30910G3	30910H8
IGNITION CABLE	6050108	6050108
DETECTION CABLE	6050215	6050215
ELECTRONIC BOARD	6100533	6100533

**NOTE:** it is recommended to mention the burner ID number on the spare parts request form.

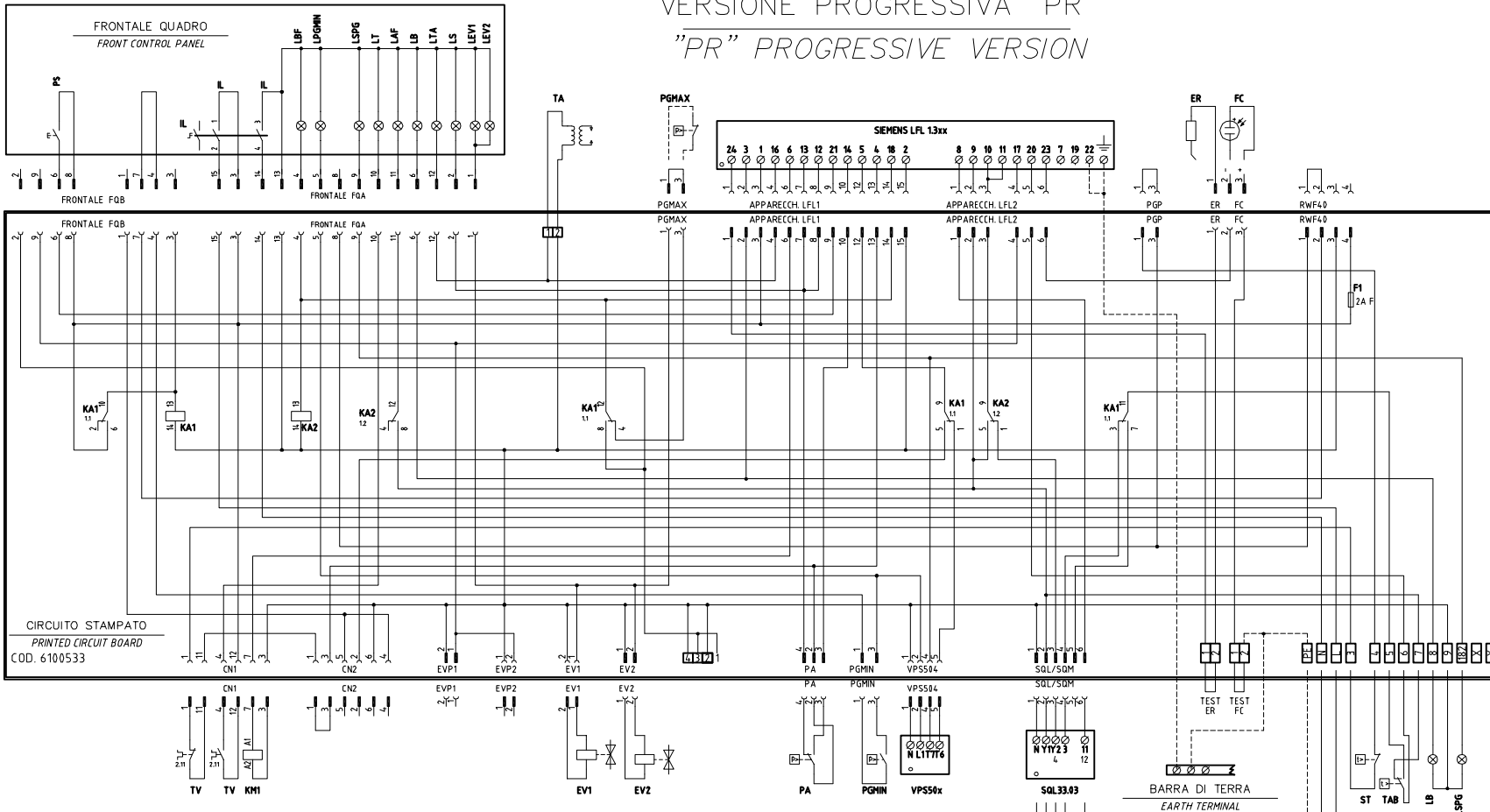
**WIRING DIAGRAMS****Complete key 21-018**

CMF	MANUAL SWITCH 0)OFF 1)HIGH FLAME 2)LOW FLAME 3)AUTOMATIC
ER	FLAME DETECTION ELECTRODE
EV1	GAS ELECTRO-VALVE UPSTREAM (OR VALVES GROUP)
EV2	GAS ELECTRO-VALVE DOWNSTREAM (OR VALVES GROUP)
F1	AUXILIARY FUSE
F2	FAN MOTOR LINE FUSES
F3	LINE FUSE
FC	UV FLAME DETECTOR
IG	MAINS SWITCH
IL	AUXILIARY LINE SWITCH
KA1	AUXILIARY RELAY
KA2	AUXILIARY RELAY
KM1.1	FAN MOTOR CONTACTOR
LAF	BURNER IN HIGH FLAME INDICATOR LIGHT
SIEMENS LFL 1.3xx	CONTROL BOX
SIEMENS RWF40	OUTPUT CONTROLLER
LB	INDICATOR LIGHT FOR BURNER LOCK-OUT
LBF	BURNER IN LOW FLAME INDICATOR LIGHT
LEV1	INDICATOR LIGHT FOR OPENING OF ELECTRO-VALVE [EV1]
LEV2	INDICATOR LIGHT FOR OPENING OF ELECTRO-VALVE [EV2]
LPGMIN	INDICATOR LIGHT FOR PRESENCE OF GAS IN THE NETWORK
LS	INDICATOR LIGHT FOR BURNER STAND-BY
LSPG	INDICATOR LIGHT FOR LEAKAGE OF VALVES
LT	INDICATOR LIGHT FOR FAN OVERLOAD TRIPPED
LTA	IGNITION TRANSFORMER INDICATOR LIGHT
MV	FAN MOTOR
PA	COMBUSTION AIR PRESSURE SWITCH
PGMAX	MAXIMUM PRESSURE GAS SWITCH (OPTIONAL)
PGMIN	MINIMUM GAS PRESSURE SWITCH
PS	LOCK-OUT RESET BUTTON
PT100	TEMPERATURE PROBE
SD-0÷10V	TENSION SIGNAL
SD-0/4÷20mA	CURRENT SIGNAL
SD-PRESS	PRESSURE PROBE
SD-TEMP.	TEMPERATURE PROBE
ST	SERIES OF THERMOSTATS OR PRESSURE SWITCHES
STM/SQM/SQL	AIR DAMPER ACTUATOR
TA	IGNITION TRANSFORMER
TAB	HIGH-LOW THERMOSTAT/PRESSURE SWITCHES (IF FITTED REMOVE THE BRIDGE BETWEEN TERMINALS 6 AND 7 ON TERMINAL BOARD MA)
TC	THERMOCOUPLE
TV	FAN MOTOR THERMAL
VPS504	GAS PROVING SYSTEM (OPTIONAL)

**ATTENTION:**

- 1- Power supply 400V 50 Hz, 3N a.c.
- 2- Don't reverse phase with neutral
- 3- Ensure burner is properly hearted

VERSIONE PROGRESSIVA "PR"  
"PR" PROGRESSIVE VERSION



SERVOCOMANDO SERRANDA ARIA  
AIR DAMPER ACTUATOR  
SQL33.03

- Y1 ALTA FIAMMA  
HIGH FLAME
- Y2 SOSTA E ACCENSIONE  
STAND-BY AND IGNITION
- 3 BASSA FIAMMA GAS  
GAS LOW FLAME

SERVOCOMANDO SERRANDA ARIA (ALTERNATIVO)  
AIR DAMPER ACTUATOR (ALTERNATIVE)  
STM30/24Q15.51/641NLP

- I ALTA FIAMMA  
HIGH FLAME
- II SOSTA E ACCENSIONE  
STAND-BY AND IGNITION
- III BASSA FIAMMA GAS  
GAS LOW FLAME
- IV NON USATA  
NOT USED

SERVOCOMANDO SERRANDA ARIA (ALTERNATIVO)  
AIR DAMPER ACTUATOR (ALTERNATIVE)  
SQM4.0.265Axx

- I ALTA FIAMMA  
HIGH FLAME
- II SOSTA E ACCENSIONE  
STAND-BY AND IGNITION
- III BASSA FIAMMA GAS  
GAS LOW FLAME
- IV NON USATA  
NOT USED
- V NON USATA  
NOT USED
- VI NON USATA  
NOT USED

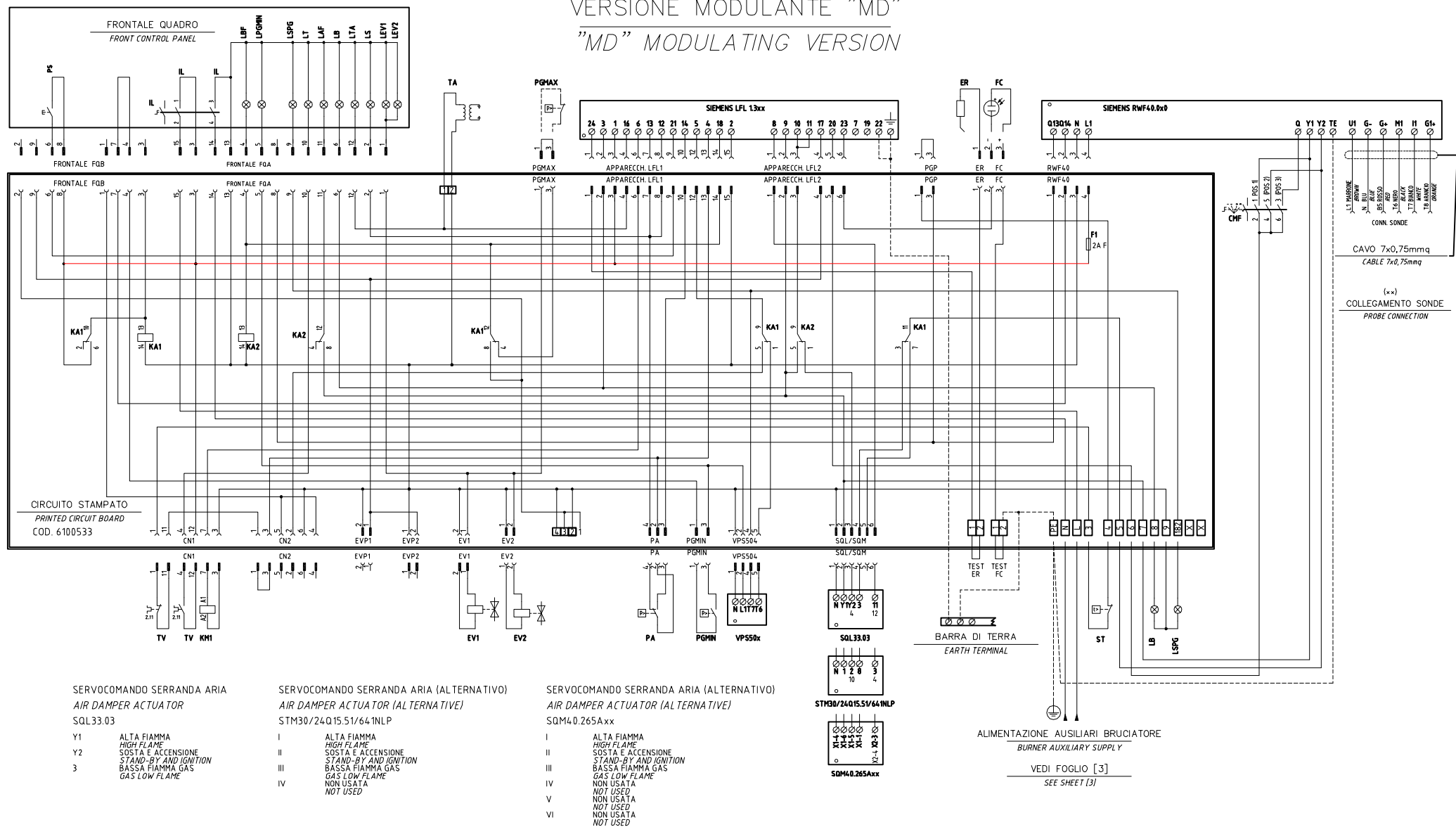
ALIMENTAZIONE AUSILIARI BRUCIATORE  
BURNER AUXILIARY SUPPLY

VEDI FOGLIO [3]  
SEE SHEET [3]

Data	01/10/2008	PREC.	FOGLIO
Revisione	01	/	1
Dis. N.	21 - 018	SEQUE	TOTALE
		2	3



# VERSIONE MODULANTE "MD" "MD" MODULATING VERSION



Y1 ALTA FIAMMA  
HIGH FLAME  
Y2 SOSTA E ACCENSIONE  
STAND-BY AND IGNITION  
3 BASSA FIAMMA GAS  
GAS LOW FLAME

I ALTA FIAMMA  
HIGH FLAME  
II SOSTA E ACCENSIONE  
STAND-BY AND IGNITION  
III BASSA FIAMMA GAS  
GAS LOW FLAME  
IV NON USATA  
NOT USED

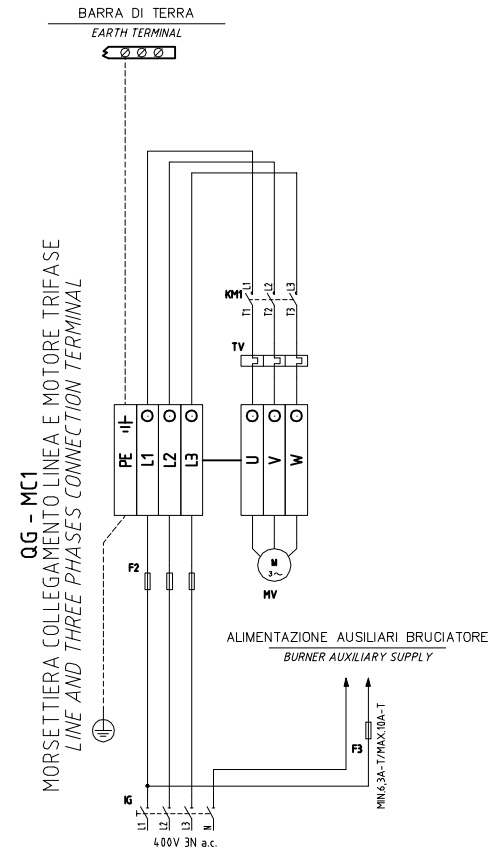
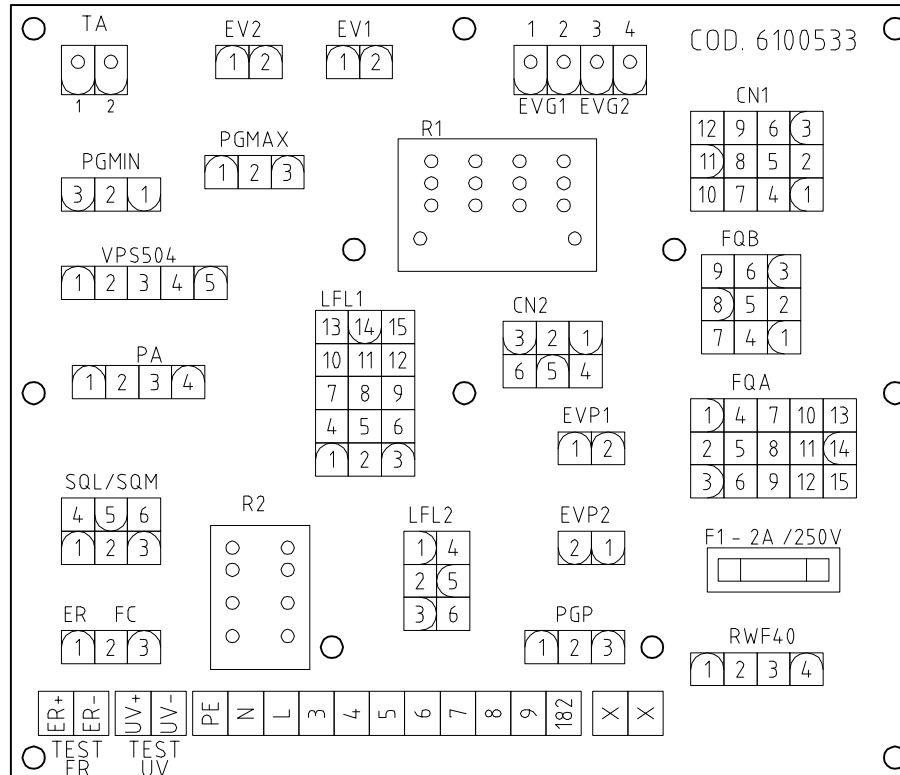
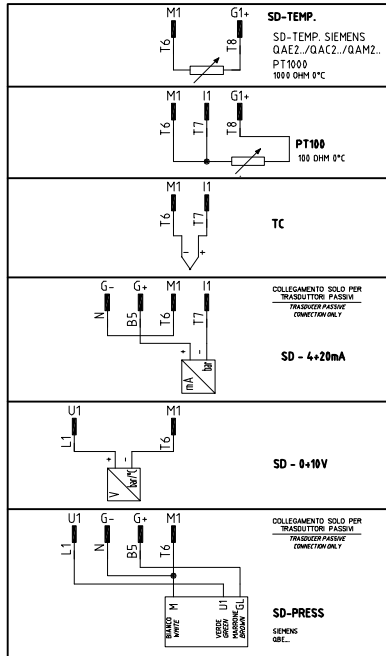
I ALTA FIAMMA  
HIGH FLAME  
II SOSTA E ACCENSIONE  
STAND-BY AND IGNITION  
III BASSA FIAMMA GAS  
GAS LOW FLAME  
IV NON USATA  
NOT USED  
V NON USATA  
NOT USED  
VI NON USATA  
NOT USED

Data	01/10/2008	PREC.	FOGLIO
Revisione	01	1	2
Dis. N.	21 - 018	SEGUE	TOTALE
		3	3

SIGLA/ITEM	FUNZIONE	FUNCTION
BERGER STM30/Z4G15.51/64	SERVOCOMANDO SERRANDA ARIA (ALTERNATIVO)	AIR DAMPER SERVO CONTROL (ALTERNATIVE)
CMF	COMPUT. MANUALE FUNZ. OFFERMO (ALTA FIAMMA 2) (BASSA FIAMMA 3) (AUTOMATICO)	MANUAL SWITCH (OFF / HIGH FLAME 2 / LOW FLAME 3) (AUTOMATIC)
ER	ELETTRODO RILEVAZIONE FIAMMA	FLAME DETECTION ELECTRODE
EV1	ELETTROVALVOLA GAS LATO RETE (O GRUPPO VALVOLE)	GAS ELECTRO-VALVE UPSTREAM (OR VALVES GROUP)
EV2	ELETTROVALVOLA GAS LATO BRUCIATORE (O GRUPPO VALVOLE)	GAS ELECTRO-VALVE DOWNSTREAM (OR VALVES GROUP)
F1	FUSIBILE AUSILIARIO	AUXILIARY FUSE
F2	FUSIBILI LINEA MOTORE VENTILATORE	FAN MOTOR LINE FUSES
F3	FUSIBILE DI LINEA	LINE FUSE
FC	SONDA UV RILEVAZIONE FIAMMA (ALTERNATIVA)	UV FLAME DETECTOR (ALTERNATIVE)
IG	INTERRUTTORE GENERALE	MAIN DISCONNECTOR
IL	INTERRUTTORE LINEA AUSILIARI	AUXILIARY LINE SWITCH
KA1	RELE' AUSILIARIO	AUXILIARY RELAY
KA2	RELE' AUSILIARIO	AUXILIARY RELAY
KM1	CONTATTI MOTORE VENTILATORE	FAN MOTOR CONTACTOR
LAF	LAMPADA SEGNALE ALTA FIAMMA BRUCIATORE	BURNER IN HIGH FLAME INDICATOR LIGHT
LB	LAMPADA SEGNALE ALTA FIAMMA BRUCIATORE	INDICATOR LIGHT FOR BURNER LOCK-OUT
LBF	LAMPADA SEGNALE BASSA FIAMMA BRUCIATORE	BURNER IN LOW FLAME INDICATOR LIGHT
LBF	LAMPADA SEGNALE BASSA FIAMMA BRUCIATORE	BURNER IN LOW FLAME INDICATOR LIGHT
LEV1	LAMPADA SEGNALE APERTURA [EV1]	INDICATOR LIGHT FOR OPENING OF ELECTRO-VALVE [EV1]
LEV2	LAMPADA SEGNALE APERTURA [EV2]	INDICATOR LIGHT FOR OPENING OF ELECTRO-VALVE [EV2]
LPGMIN	LAMPADA SEGNALE PRESENZA GAS IN RETE	INDICATOR LIGHT FOR PRESENCE OF GAS IN THE NETWORK
LS	LAMPADA SEGNALE SOSTA BRUCIATORE	INDICATOR LIGHT FOR BURNER STAND-BY
LSPG	LAMPADA SEGNALE BLOCCO CONTROLLO TENUTA VALVOLE	INDICATOR LIGHT FOR LEAKAGE OF VALVES
LT	LAMPADA SEGNALE BLOCCO TERMICO MOTORE VENTILATORE	INDICATOR LIGHT FOR FAN OVERLOAD TRIPPED
LTA	LAMPADA SEGNALE TRASFORMATORE DI ACCENSIONE	IGNITION TRANSFORMER INDICATOR LIGHT
MV	MOTORE VENTILATORE	FAN MOTOR
PA	PRESSOSTATO ARIA	AIR PRESSURE SWITCH
PGMAX	PRESSOSTATO GAS DI MASSIMA PRESSIONE (OPZIONALE)	MAXIMUM PRESSURE GAS SWITCH (OPTIONAL)
PGMIN	PRESSOSTATO GAS DI MINIMA PRESSIONE	MINIMUM GAS PRESSURE SWITCH
PS	PULSANTE SBLOCCO FIAMMA	LOCK-OUT RESET BUTTON

SIGLA/ITEM	FUNZIONE	FUNCTION
PT100	SONDA DI TEMPERATURA	TEMPERATURE PROBE
SD-4+20mA	SEGNALE IN CORRENTE	CURRENT SIGNAL
SD-0-10V	SEGNALE IN TENSIONE	TENSION SIGNAL
SD-PRESS	SONDA DI PRESSIONE	PRESSURE PROBE
SD-TEMP	SONDA DI TEMPERATURA	TEMPERATURE PROBE
SIEMENS LFL 13xx	APPARECCHIATURA CONTROLLO FIAMMA	FLAME MONITOR DEVICE
SIEMENS RWF40.0x0	REGOLATORE MODULANTE	BURNER MODULATOR
SQL33.03	SERVOCOMANDO SERRANDA ARIA	AIR DAMPER SERVO CONTROL
SQM4.0.265Axx	SERVOCOMANDO SERRANDA ARIA	AIR DAMPER SERVO CONTROL
ST	SERIE TERMOSTATI/PRESSOSTATI	SERIES OF THERMOSTATS OR PRESSURE SWITCHES
TA	TRASFORMATORE DI ACCENSIONE	IGNITION TRANSFORMER
TAB	TERMOSTATO/PRESSOSTATO ALTA-BASSA FIAMMA	HIGH-LOW THERMOSTAT/PRESSURE SWITCHES
TC	TERMOCOPIA	THERMOCOUPLE
TV	TERMICO MOTORE VENTILATORE	FAN MOTOR THERMAL
VPS50x	CONTROLLO DI TENUTA VALVOLE GAS	GAS LEAKAGE CONTROL UNIT

(xx)  
COLLEGAMENTO SONDE  
PROBE CONNECTION



Data	01/10/2008	PREC.	FOGLIO
Revisione	01	2	3
Dis. N.	21 - 018	SEQUE	TOTALE
		/	3

**SIEMENS LFL 1.3.. CONTROL BOX**

Automatic programme in the event of interruption and indication of position when interrupted

By default, in the event of any kind of interruption, the flow of fuel is immediately interrupted. At the same time the programmer stops and this indicates the position at the time of the interruption.

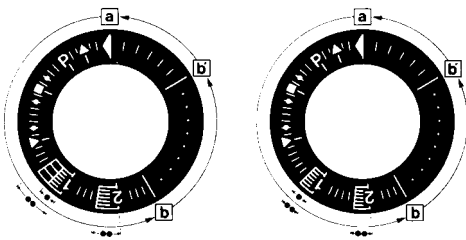
A symbol on the indicator disc shows each time the type of stoppage:

- ◀ No start-up (for example fault in the CLOSED signal for the limit contact "Z" at terminal 8 or some other contact between the terminals 12 and 4 or 4 and 5 is not closed).
- ◀ Start-up suspended because of a fault in the OPEN signal for the limit contact "A" at terminal 8.
- P Block due to absence of air pressure signal. From this moment onwards any absence of air pressure will cause a block.
- Block due to malfunction of the flame detector circuit.
- ▼ Start-up interrupted because there is a fault in the MINIMUM signal for the auxiliary contact of the damper servo motor at terminal 8.
- 1 Block due to absence of flame signal at the end of the 1st safety period.

From this moment onwards any absence of a flame signal will cause a block.

- 2 Block due to absence of flame signal at the end of the 2nd safety period (flame signal of main burner).
- █ Block due to absence of flame signal or air pressure during operation.

Where a block stoppage occurs at any moment between switch on and pre-ignition without registering any symbol, the cause is normally an unscheduled flame signal.



- a-b Start-up programme
- b-b' For time variants: move the programmer on to the automatic stop after the burner starts up (b' = position of the programmer during normal burner operation).
- b(b')-a Post-ventilation programme after a regulation stop. At the start-up position "a" the programmer stops automatically.
- . Safety time duration for mono-tube burners
- .. Safety time duration for twin-tube burners

The apparatus can be reset immediately after a block. After resetting (and after the elimination of any problem causing the stoppage or after a power failure) the programmer returns to its start-up position. In this event only the terminals 7, 9, 10 and 11 are live in accordance with the monitoring programme. Only after this the device programs a new startup.

**Operation**

The wiring system and also the control system of the programmer "P" have already been given in this manual. The response signals required for the active parts and the flame monitor circuit are shown by a hatching. In the absence of these response signals the mechanism interrupts the start-up programme; the exact time of the interruption can be identified from the visual indicator and will cause a block if the safety code requires it.

- A consent to start-up by means of the thermostat or pressostat "R"
- A-B start-up program
- B-C normal burner operation
- C regulation stop caused by "R"
- C-D programmer returns to start-up position A.

During the regulation stop only terminals 11 and 12 are live and the damper, through the limit contact "Z" of its servo-motor is in the CLOSED position.

The flame detector circuit F is activated (terminals 22 and 23 or 23/4) for the detector test and the paracitic light test.

Where the burners do not have dampers (or have an independent 00 damper control mechanism) there must be a bridge between terminals 6 and 8, otherwise the mechanism will not start up the burner.

For a burner to start up the following conditions must be met:

- Mechanism not blocked/reset.
- Damper closed. Limit contact switch Z must be in the CLOSED position and allow current to flow between terminals 11 and 8.
- Any contacts checking that the fuel valve (bv...) is closed, or other contacts with similar functions, must be closed between terminal 12 and the air pressostat LP.
- The contact for the air pressostat LP must be in the off position (LP test) so as to feed terminal 4.
- The gas pressostat contacts GP and the safety thermostat and pressostat contacts W must also be closed.

**Start-up program**

A Start-up

(R closes the start-up control ring between terminals 4 and 5)

The programmer starts up. At the same time the ventilator motor is fed through terminal 6 (only for pre-ventilation) and, after t7, the ventilator motor or the combustion gas exhaust fan is fed through terminal 7 (pre-ventilation and post-ventilation).

At the end of t16, the command opening the damper passes through terminal 9; during the damper opening time the programmer does not move since terminal 8, through which the programmer is fed, is dead.

Only once the damper is fully open and the limit contact switch A has switched on, feeding terminal 8, does the programme proceed.

t1 Pre-ventilation time with damper fully open (nominal air flow).

Shortly after the beginning of the pre-ventilation time, the air pressostat should switch off the current between terminals 4 and 13; otherwise the apparatus would block (air pressure monitor).

At the same time the terminal 14 should be live since current feeding the ignition transformer and the fuel valves passes through this circuit.

During pre-ventilation time the flame detector circuit is checked and in the event of an operational defect the monitor brings about a block.

At the end of the pre-ventilation time the monitor automatically moves the damper servo-motor, through terminal 10, to the flame ignition position which is governed by the auxiliary contact "M".

During this period the programmer stops until terminal 8, is again activated through contact "M".

After a few seconds the little programmer motor is directly fed by the active part of the apparatus.

After this point terminal 8 plays no further part in the burner ignition process.

**Mono-tube burner**

t3 Pre-ignition time waiting the response from the fuel valve at terminal 18.

t2 Safety time (start up flame strenght); at the end of the safety time a flame signal should appear at terminal 22 of the amplifier and it should stay on until a regulation stop; if this does not happen the mechanism will block.

t4 Interval; at the end of t4, terminal 19 is live.

t5 Interval At the end of t5 terminal 20 is live. At the same time the monitor outlets from 9 and 11 and terminal 8 into the active part of the apparatus are kept galvanically separated so as to protect the monitor itself from recovery voltage through the capacity regulator circuit.

**Twin-tube burners (\*\*)**

t3 Preignition time until the all clear to the pilot burner valve at terminal 17.

t2 First safety time (pilot flame strenght); at the end of the safety time a flame signal should appear at terminal 22 of the amplifier and it should stay on, until a regulation stop; if it does not, the apparatus will block.

t4 Interval until the consent to the fuel valve at terminal 19, for the first flame of the main burner.

t9 2nd safety time; at the end of the second safety time the main burner should be lit by means of the pilot. At the end of this period, terminal 17 is dead and therefore the pilot burner will be out.

t5 Interval; at the end of t5 terminal 20 is live. At the same time the monitor outlets from 9 to 11 and the terminal 8 at the input of the active part of the apparatus are galvanically separated so as to protect the appa-

ratus itself from recovery voltage through the strenght regulator circuit.

When the strenght regulator LR at terminal 20 gives the consent, the start-up programme for the apparatus comes to an end. Depending on time variants, the programmer stops either immediately or at the end of a set time, without effecting the position of the contacts.

B Operational position of the burner

B-C Burner operation (production of heat)

While the burner is working the strnght regulator controls the damper, according to the demand for heat, by means of the positioning at nominal load of the auxiliary contact "V" of the damper servocontrol.

C Regulation stop for operation of "R"

When there is a regulation stop the fuel valves immediately close. At the same time the programmer starts to programme:

t6 Post-ventilation time (post-ventilation with the ventilator "G" at terminal 7). Shortly after beginning of the post-ventilation time terminal 10 becomes live and moves the damper to the "MIN" position. The full closure of the damper only happens towards the end of the post-ventilation time and is prompted by an automatic signal from terminal 11

t13 Admissible post-ignition time

During this time the flame monitor circuit may still receive a flame signal without the apparatus blocking.

D-A End of automatic programme

At the end of t6, at the point where the programmer and the automatic contacts have reverted to the starter position, the detection probe test restarts.

During an operational stop even an unscheduled flame signal lasting a few seconds can cause a block because during this period an NTC in the circuit acts as retarder. This means that brief unscheduled influences cannot cause a block.

(\*\*) Times t3, t2 and t4 only apply only to safety devices in the series 01.

### Specifications

Mains voltage 220V -15%...240V +10%  
Frequency 50Hz -6%...60Hz +6%  
Absorbed capacity 3.5 VA  
Built-in fuse T6.3/250E slow action DIN41571 No. 451915070

External fuse max. 16A  
Interference N-VDE0875  
Flow permitted at terminal 1 5A (DIN 0660 AC3)  
Flow permitted at control terminals 4A (DIN 0660 AC3)

Flow at monitor contacts:  
input at terminals 4 & 5 1A, 250V  
input at terminals 4 & 11 1A, 250V  
input at terminals 4 & 14 function of the load at terminals 16 and 19, min. 1A, 250V

Emplacement Any  
Protection IP40  
Permitted ambient temp -20...+60° C  
Min. temperature (trans/storage) -50° C

Weight:  
apparatus approx. 1,000g.  
base approx. 165g.

### Ionisation monitor

voltage in detector electrode  
normal working 330V ±10%  
test 380V ±10%  
short circuit current max. 0,5 mA  
ionisation current, min.request 6 µA  
max. permitted length for connecting cables  
normal cable (laid separately\*\*) 80m  
armoured cable (high frequency) protection at terminal 22 140m

UV monitor

Voltage in UV detector  
normal working 330V ±10%  
test 380V ±10%  
Detector current, min. request\* 70µA

Max. detector current  
normal working 630 µA  
test 1300 µA

Max. length of connecting cable  
normal cable (laid separately\*\*) 100m  
armoured cable (high frequency) protected at terminal 22 200m

Weight  
QRA2 60 g  
QRA10 450 g.

\*Connect up in parallel to the measuring device a condenser 100µF, 10...25V.

\*\* The wire connecting up the detector electrode should not be in the same sleeve as the other conductor wires.

Ignition spark monitor with QRE1 series 02 detector  
Minimum detector current 30µA

### Operating times

t7 initial delay for ventilator G2 2  
t16 initial delay of air damper OPEN consent 4  
t11 opening time for damper any  
t10 initial delay for air pressure monitor8  
t1 pre-ventilation time with damper open36  
t12 travel time for air damper to MIN positionany  
t3 t3' pre-ignition time t3 4  
t3 t3' pre-ignition time t3 '-  
t2 t2' safety time (1st safety time for burners with intermittent pilot lighter t2 2  
t2 t2' safety time (1st safety time for burners with intermittent pilot lighter t2 '-  
t4 t4' interval between start of t2 and response to valve at terminal 19 t4 10  
t4 t4' interval between start of t2 and response to valve at terminal 19 t4 '-

t9 2nd safety time for burners with intermittent pilot lighter 2  
t5 interval between end of t4 and response at terminal 20 10  
t20 interval before programmer cuts out after start-up-  
duration of start-up 60  
t6 post-ventilation time (G2 only) 12  
t13 permitted post-ignition time 12  
t16 initial delay from opening consent of the air damper  
t20 interval until the automatic shut-off of the programming mechanism after the burner start

### Key

A limit contact switch for damper OPEN position  
AI block remote signal  
AR main relay (working network) with contacts "ar"  
AS Monitor fuse  
BR block relay with "br" contacts  
BV fuel valve  
EK reset button  
FE detector electrode of ionisation circuit  
FR flame relay with "fr" contacts  
G ventilator motor or burner motor  
GP gas pressure switch  
H main interruptor switch  
L block stoppage LED  
LK air damper  
LP air pressostat  
LR safety regulator  
M auxiliary contact switch for damper "MIN" position  
QRA UV detector  
QRE ignition spark detector  
R thermostat or pressostat  
S fuse  
SA damper servo-motor  
SM synchronous programmer motor  
V flame signal amplifier  
V in case of servo-motor: auxiliary contact for response to fuel valve with regard of damper position  
W safety pressostat or thermostat  
Z ignition transformer  
Z in case of servomotor: end of limit contact switch for damper CLOSED position  
ZBV pilot burner fuel valve  
° for mono-tube burners  
∞ for twin-tube burners

(1) input for raising QRA detector voltage to test level  
(2) input for excitation of flame relay during flame detector test

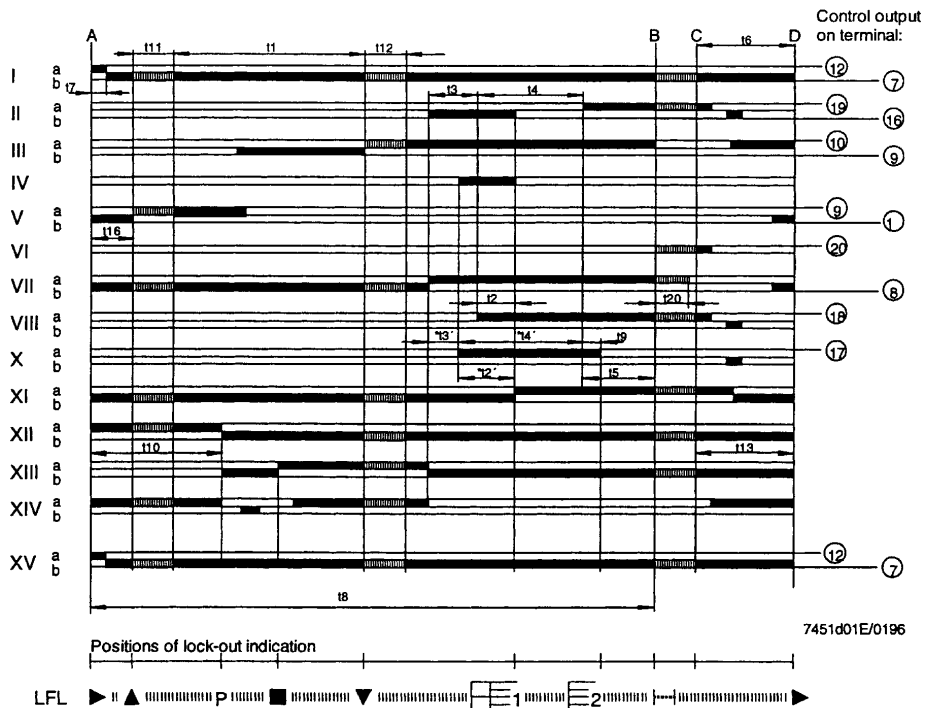
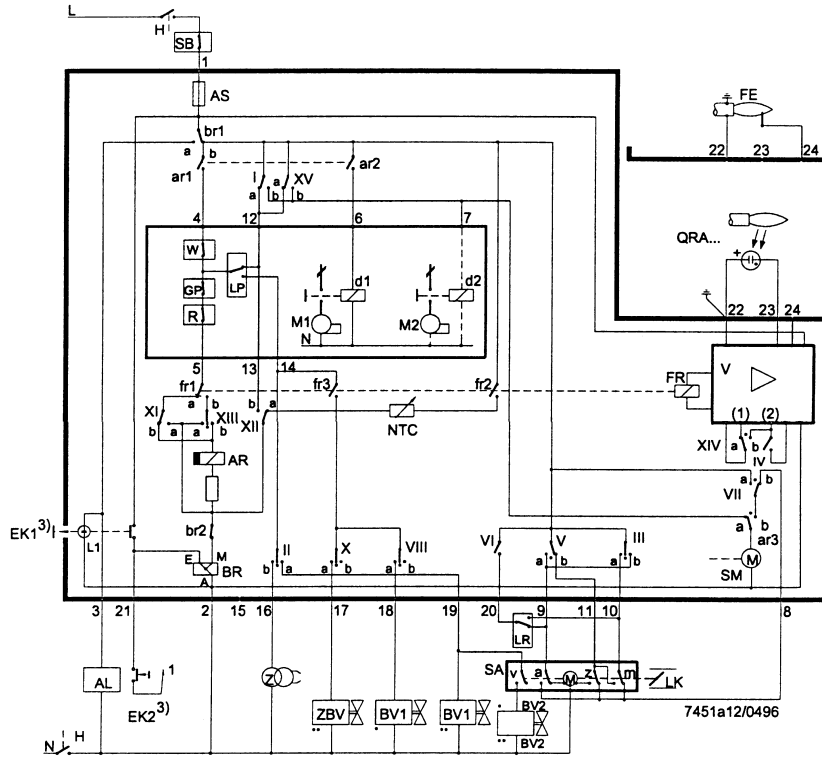
- circuit (contact XIV) and during safety time (contact IV)
- (3) Do not press EK for more than 10 seconds

**Programmer diagram**

- t1 pre-ventilation time
- t2 safety time
- \*t2 '1st safety time
- t3 pre-ignition time
- \*t3 'pre-ignition time
- t4 interval for creating current between terminals 18 and 19
- \*t4 'interval for creating current between terminals 17 and 19
- t5 interval for creating current between terminals 19 and 20
- t6 post-ventilation time

- t7 interval between startup consent and current created at terminal 7
- t8 duration of start-up
- \*t9 2nd safety time
- t10 interval before air pressure monitoring begins
- t11 damper opening travel time
- t12 damper closure travel time
- t13 permissible post-combustion time
- t16 initial delay of damper OPEN response
- t20 interval before programmer automatically stops

\* These times are valid with the use of a series O1 safety device for monitoring burners with intermittent pilot lighter.



7451d01E/0196

---

---

---

---



C.I.B. UNIGAS S.p.A.  
Via L.Galvani, 9 - 35011 Campodarsego (PD) - ITALY  
Tel. +39 049 9200944 - Fax +39 049 9200945/9201269  
web site: [www.cibunigas.it](http://www.cibunigas.it) - e-mail: [cibunigas@cibunigas.it](mailto:cibunigas@cibunigas.it)

Note: Specifications and and data subject to change. Errors and omissions excepted.